

**SECTION 2**

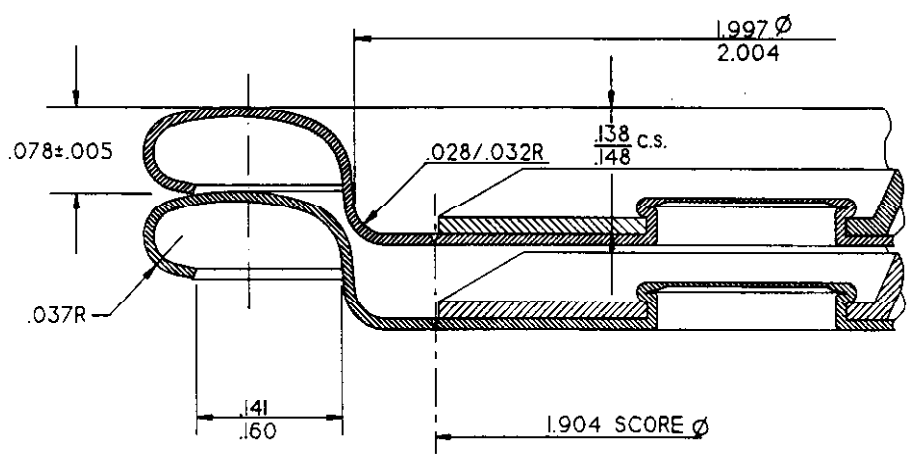
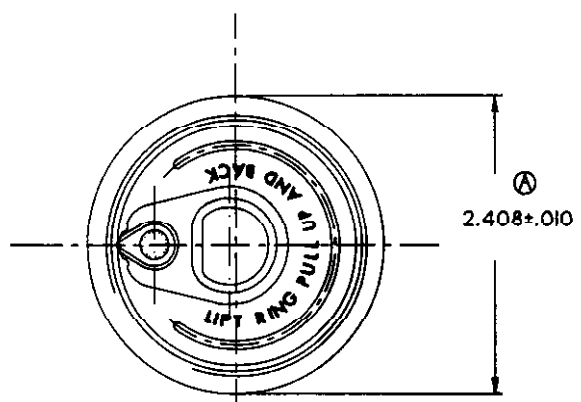
**CUSTOMER SPECIFICATION INDEX**

SPECIFICATION NUMBER	NAME	PAGE
ME-201 5-1	201 5 Flat Panel End 51mm Flat Panel End	1 of 2 2 of 2
ME-202-1	202 Center Rivet End 52mm Center Rivet End	1 of 2 2 of 2
ME-202-2	202 SAFERIM® End 52mm SAFERIM End	1 of 2 2 of 2
ME-202-5	202 Stay-On-Tab End 52mm Stay-On-Tab End	1 of 2 2 of 2
ME-208-1	208 SAFERIM Symbolend 61mm SAFERIM Symbolend	1 of 2 2 of 2
ME-208-2	208 DOUBLESAFE Symbolend 61mm DOUBLESAFE Symbolend	1 of 2 2 of 2

CUSTOMER SPECIFICATION  

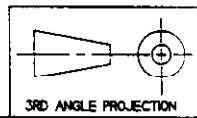
 AUTOMATED  
 CONTAINER  
 CORPORATION

By ZYSSET	QC	Date	Rev. Date 03-27-2000	Spec. No. ME-2015-1
Name 201.5 FLAT PANEL END			Material ALUMINUM	Sheet No. 1 of 2



ENDS DO NOT NEST  
 FILE: 2015F1EA

Rev.	Date	Issued
09-07	09-07	ISSUED
03-27	03-27	REVISED
03-27	03-27	REVISED
03-27	03-27	REVISED
03-27	03-27	REVISED



CUSTOMER SPECIFICATION



AUTOMATED  
CONTAINER  
CORPORATION

Eng

d.c.

Rev

Rev. Date 03-27-2000

Spec. ME-201.5-1

ZYSSET

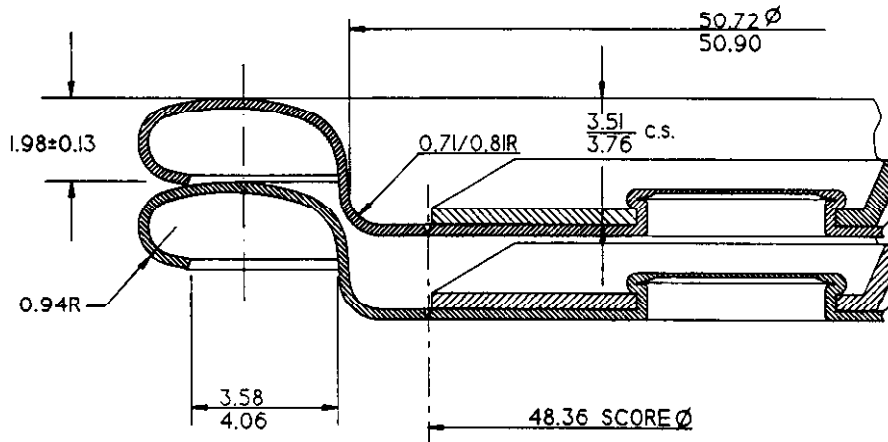
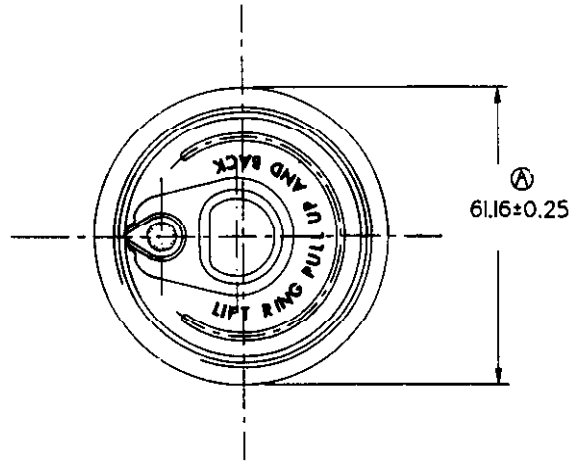
Material ALUMINUM

Sheet No. 2 OF 2

Name

51 mm FLAT PANEL END

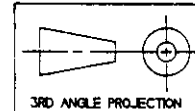
METRIC



ENDS DO NOT NEST

FILE: 2015F1MA

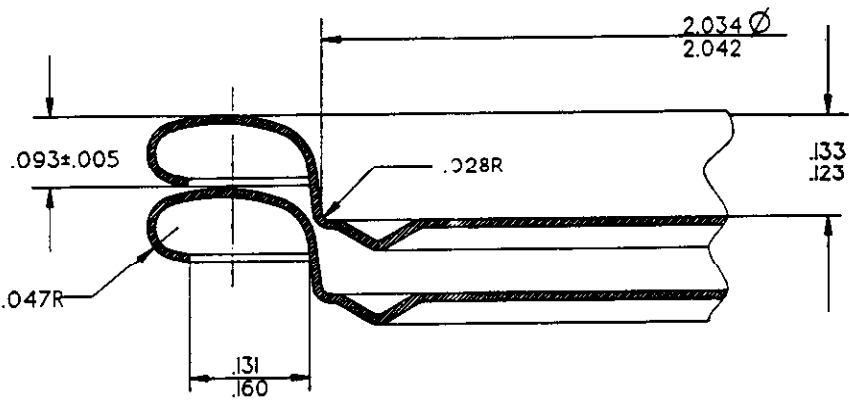
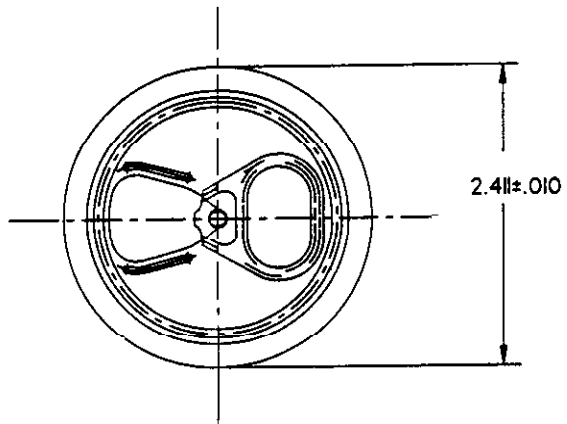
Date	Rev.	Issued
03-27-2000	A	WAS 4119
03-27-2000		



CUSTOMER SPECIFICATION  

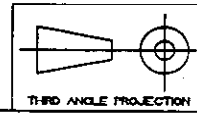
 AUTOMATED  
 CONTAINER  
 CORPORATION

By ZYSSET	Q.C.	Rev.	Date 10-31-1997	Spec. ME-202-01
Name 202 CENTER RIVET EASY OPEN END			Material ALUMINUM	Sheet No. 1 OF 2



ENDS DO NOT NEST

Rev.	
Date	



FILE: 20208B

CUSTOMER SPECIFICATION



AUTOMATED  
CONTAINER  
CORPORATION

By  
ZYSSSET

QC

Date

10-31-1997

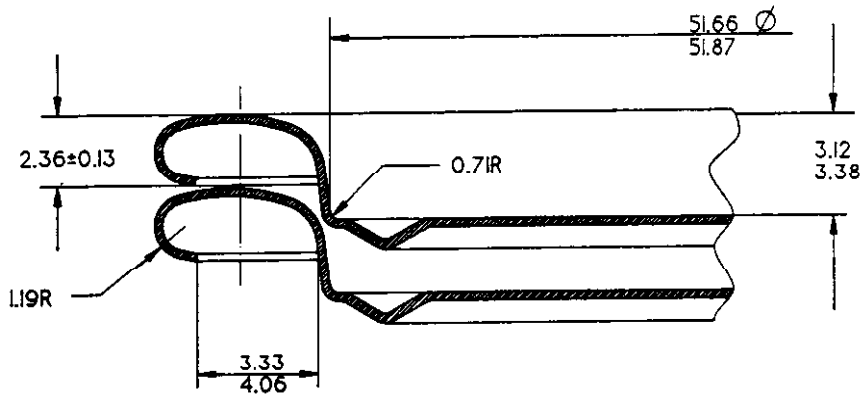
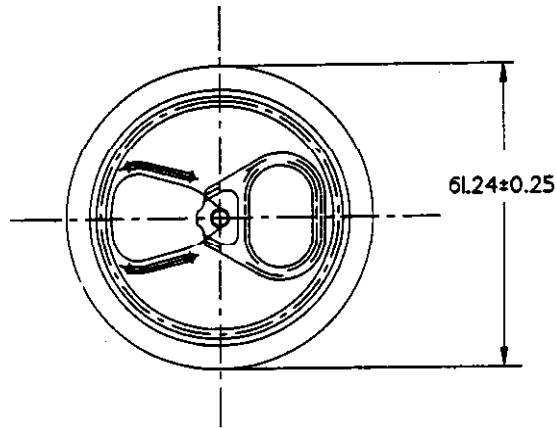
Spec. No. ME-202-01

Material ALUMINUM

Sheet No. 2 OF 2

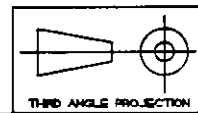
Name  
52 mm CENTER RIVET EASY OPEN END

METRIC



ENDS DO NOT NEST

Rev.	
Date	



FILE: 2020P5

CUSTOMER SPECIFICATION



AUTOMATED  
CONTAINER  
CORPORATION

By: ZYSSET

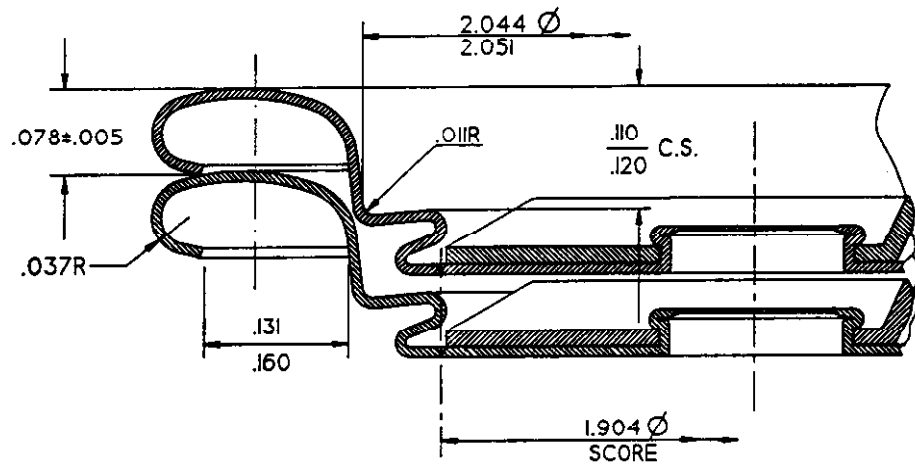
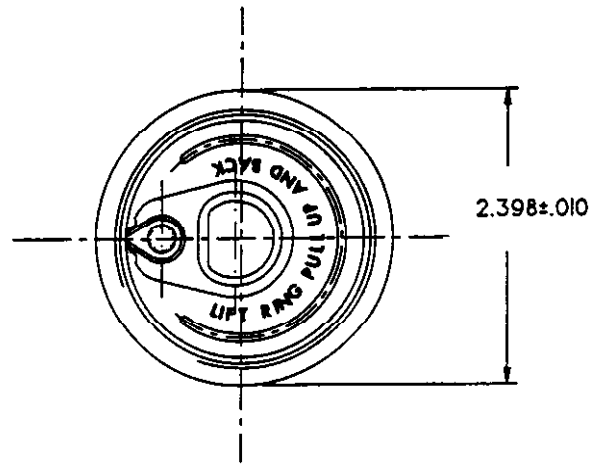
QC:

Date:

09-10-1997  
Material ALUMINUM

Spec: ME-202-02  
Sheet No. 1 OF 2

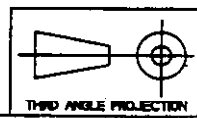
Name: 202 SAFERIM® END



ENDS DO NOT NEST

Rev.	3	REVISION
Date	09-10-1997	

FILE: 20202BES



CUSTOMER SPECIFICATION  

 AUTOMATED  
 CONTAINER  
 CORPORATION

By  
 ZYSSET

EC

Date

09-10-1997

Spec. ME-202-2

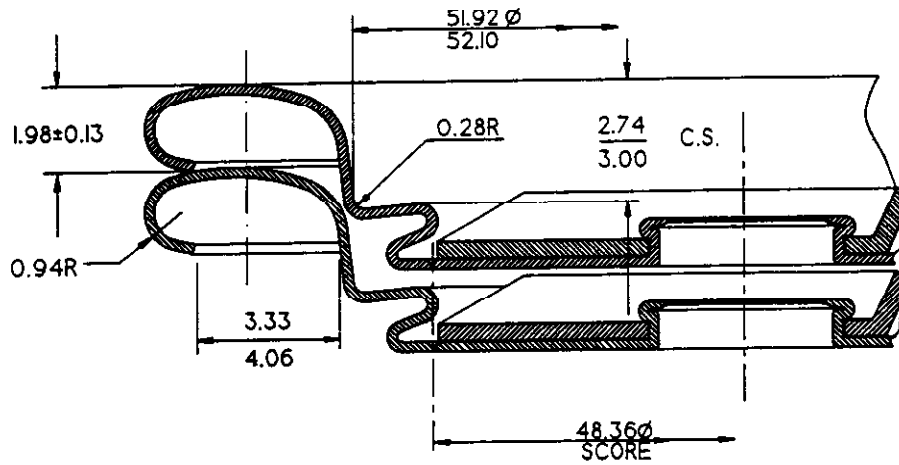
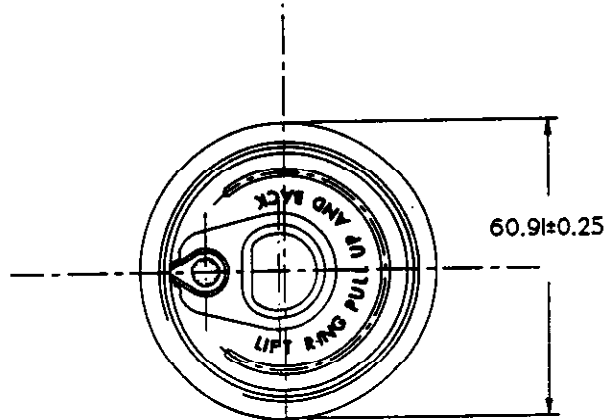
Material ALUMINUM

Sheet No. 2 OF 2

Name

52 mm SAFERIM® END

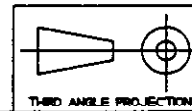
METRIC



ENDS DO NOT NEST

Rev.	
Date	09/10/97

FILE: 20202814



CUSTOMER SPECIFICATION  

 AUTOMATED  
 CONTAINER  
 CORPORATION

Proj. ZYSSET

d.c.

Date

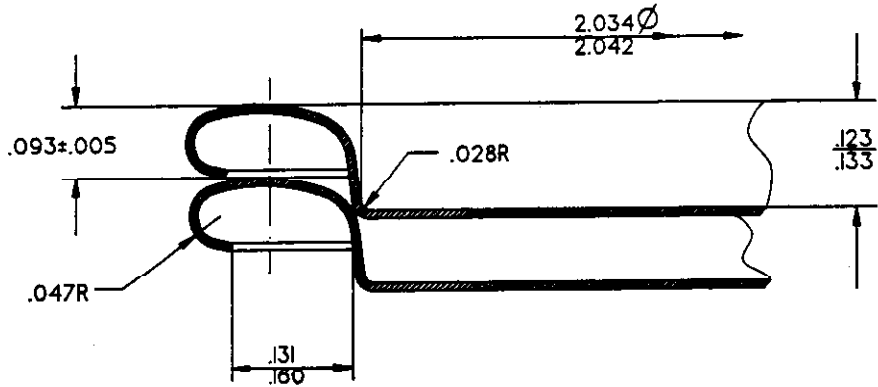
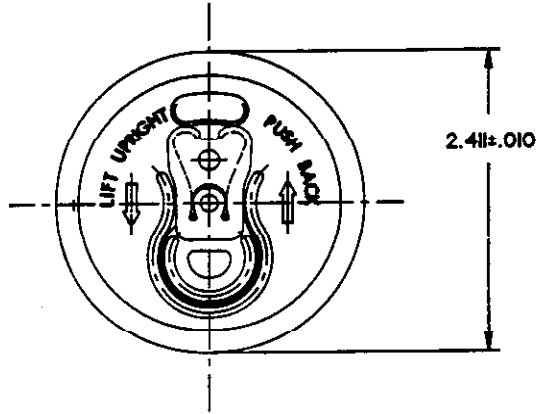
11-03-1997

Qmnt. ME-202-5

Material ALUMINUM

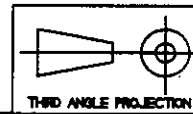
Sheet No. 1 OF 2

202 STAY ON TAB END



ENDS DO NOT NEST

Rev.	1	
Date	11-03-1997	



CUSTOMER SPECIFICATION



AUTOMATED  
CONTAINER  
CORPORATION

By: ZYSSET

D.C.

Date:

11-03-1997

Spec. No. ME-202-5

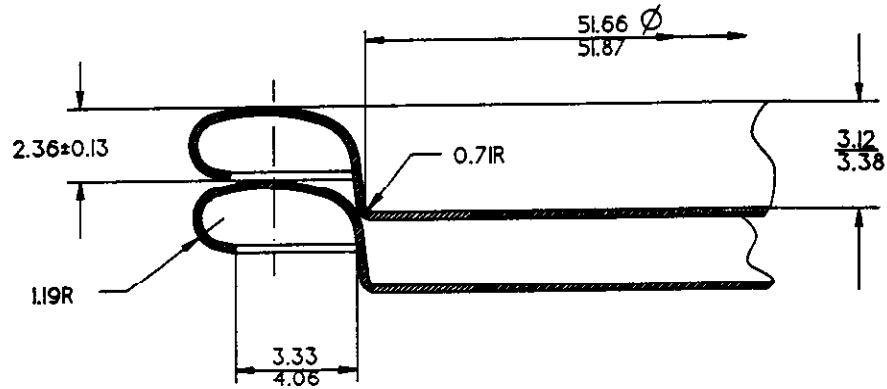
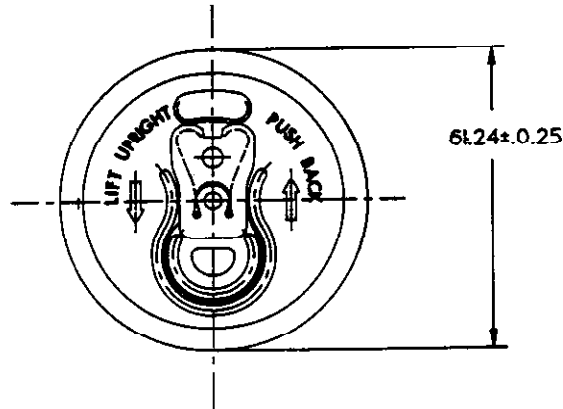
Material ALUMINUM

Sheet No. 2 OF 2

Name:

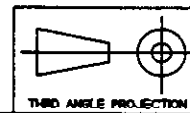
52 mm STAY ON TAB END

METRIC



ENDS DO NOT NEST

Rev.	1
Date	11-03-1997
By	ZYSSET
Check	



FILE: 2020594

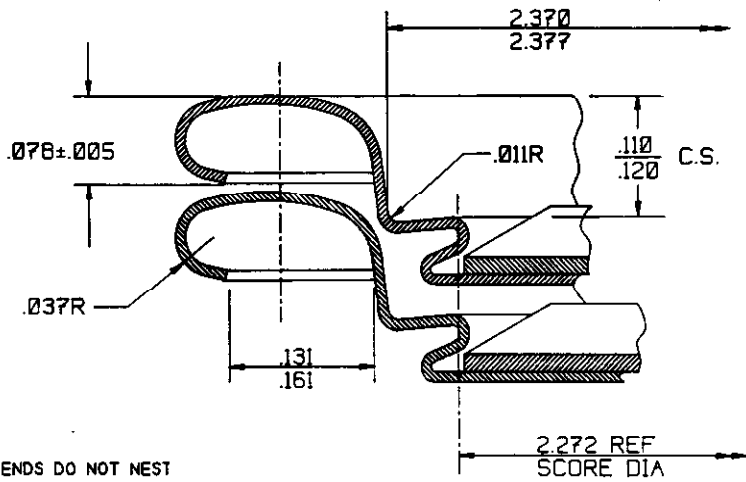
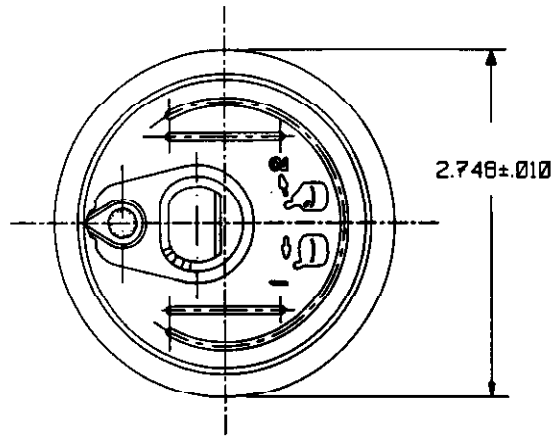
CUSTOMER SPECIFICATION



AUTOMATED  
CONTAINER  
CORPORATION

Eng	D.C.	Rev	Rev/Des	N/A	Spec/No	ME-208-1
ZYSSET			Material	ALUMINUM	Sheet No.	1 OF 2

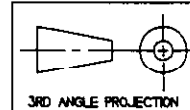
Name 208 SAFERIM® SYMBOLEND



ENDS DO NOT NEST

FILE: Z808R1E1

Rev.	ISSUED
Date	06-19 1997



CUSTOMER SPECIFICATION



AUTOMATED  
CONTAINER  
CORPORATION

By  
ZYSSET

QC

Date

Revised N/A

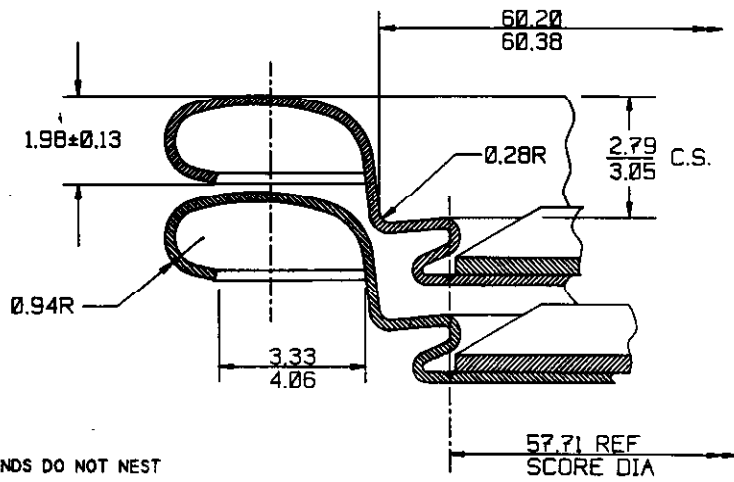
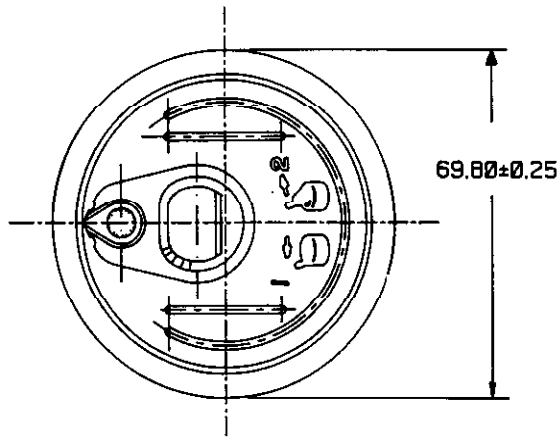
Part No. ME-208-1

Material ALUMINUM

Sheet No. 2 OF 2

Name 61 mm SAFERIM® SYMBOLEND

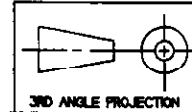
METRIC



ENDS DO NOT NEST

FILE: Z888RUEH

Rev.	ISSUED
Date	18-09 1987



CUSTOMER SPECIFICATION  

 AUTOMATED  
 CONTAINER  
 CORPORATION

By  
 ZYSSET

QC

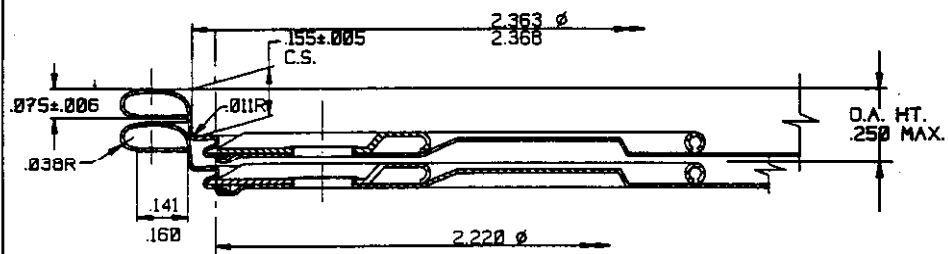
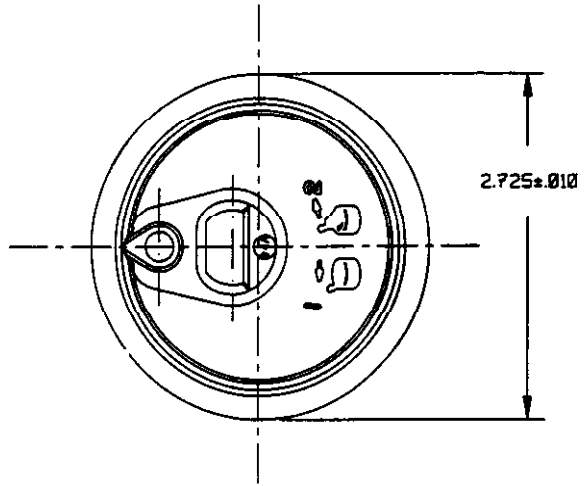
Edr

Material N/A  
 ALUMINUM

Spec. No. ME-208-2

Sheet No. 1 of 2

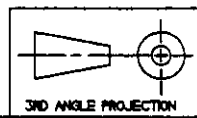
Name  
 208 DOUBLESAFE® SYMBOLEND



ENDS DO NOT NEST

File: 288082

Rev.	
Date	12-14-1958
Issued	



CUSTOMER SPECIFICATION



AUTOMATED  
CONTAINER  
CORPORATION

Eq. ZYSSET

QC

Date

Rev. N/A

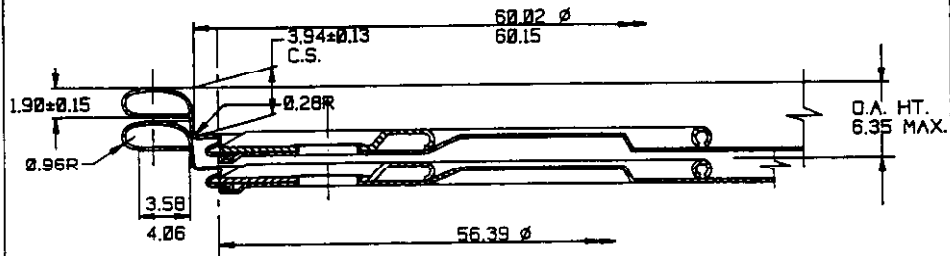
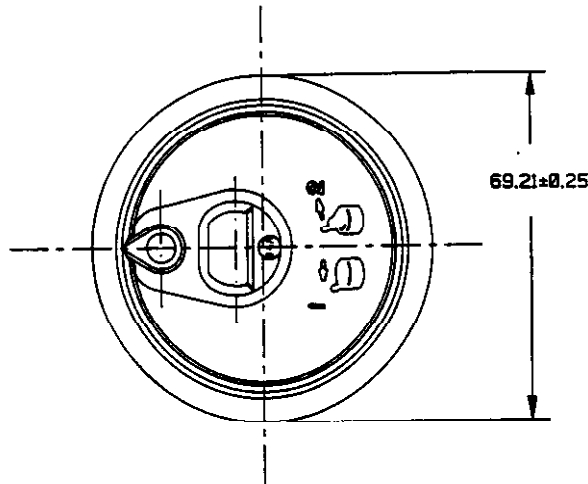
Spec. ME-208-2

Material ALUMINUM

Sheet No. 2 of 2

Name 61 mm DOUBLESAFE® SYMBOLEND

METRIC



ENDS DO NOT NEST

File: 280523

Rev.	ISSUED
Date	27-11-1998

