


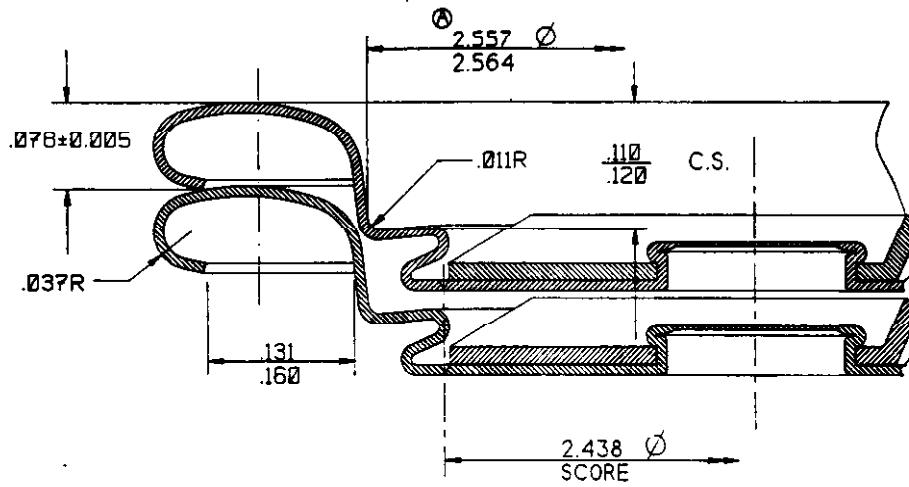
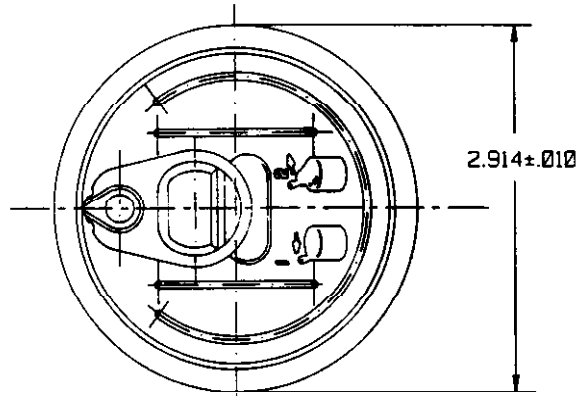
SECTION 3

CUSTOMER SPECIFICATION INDEX

SPECIFICATION NUMBER	NAME	PAGE
ME-211-1	211 SAFERIM® End 65mm SAFERIM End	1 of 2 2 of 2
ME-211-2	211 DOUBLESAFE™ Symbolend 65mm DOUBLESAFE Symbolend	1 of 2 2 of 2
ME-211-3	211 Pour Spout, Litterproof 65mm Pour Spout, Litterproof	1 of 2 2 of 2
ME-211-4	211 PORTIONPOUR™ End 65mm PORTIONPOUR End	1 of 2 2 of 2
ME-211-8	211 Pour Spout, Child Resistant 65mm Pour Spout, Child Resistant	1 of 2 2 of 2
ME-211-11	211 Steel SOT End 65mm Steel SOT End	1 of 2 2 of 2

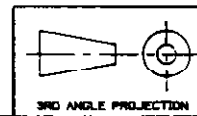
CUSTOMER SPECIFICATION

 AUTOMATED
 CONTAINER
 CORPORATION

By ZYSSET	QC	Date 09-04-1997	Spec No. ME-211-1
Name 211 SAFERIM® SYMBOLEND		Material AL ALLOY	Sheet No. 1 of 2



ENDS DO NOT NEST
 FILE: 211SR1E1

Date	Rev.
09-04-1997	REDRAWN
09-04-1997	BY M. CAUD
09-04-1997	2.557 WAS
09-04-1997	7.337



CUSTOMER SPECIFICATION

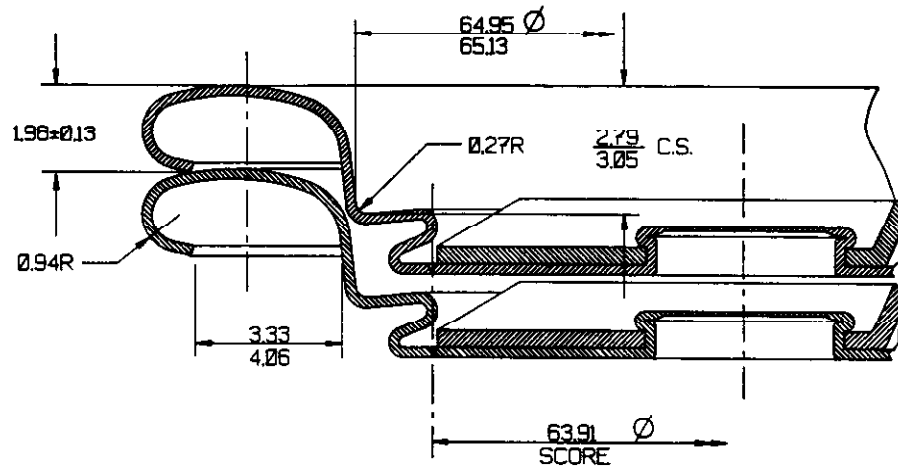
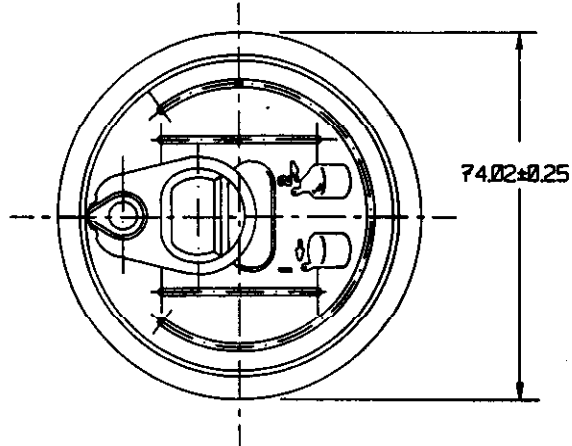


AUTOMATED
CONTAINER
CORPORATION

Rev.	QC	Des.	Rev.	02-29-2000	Specs.	ME-211-1
ZYSBET			Material	AL. ALLOY	Sheet No.	2 of 2

Name 65 mm SAFERIM® SYMBOLEND

METRIC

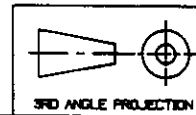


ENDS DO NOT NEST

FILE: ZYSBET

Rev.	
Date	08-04 1997

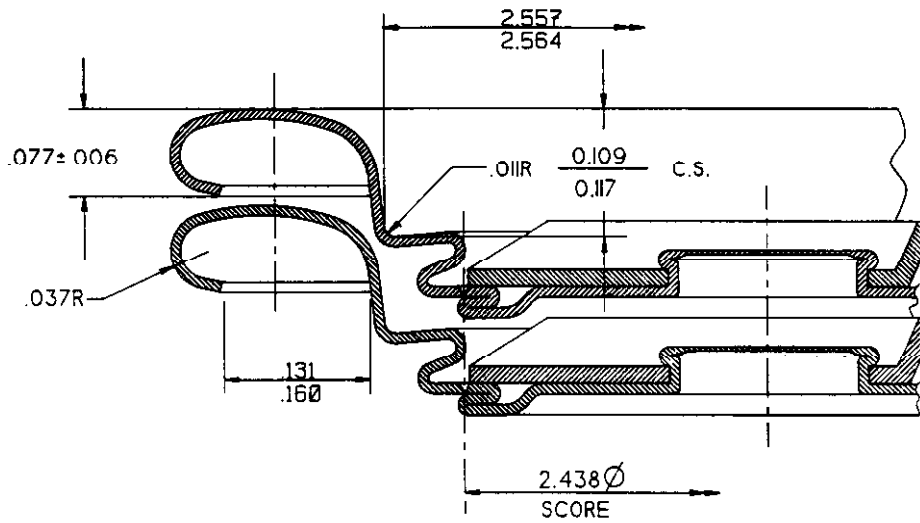
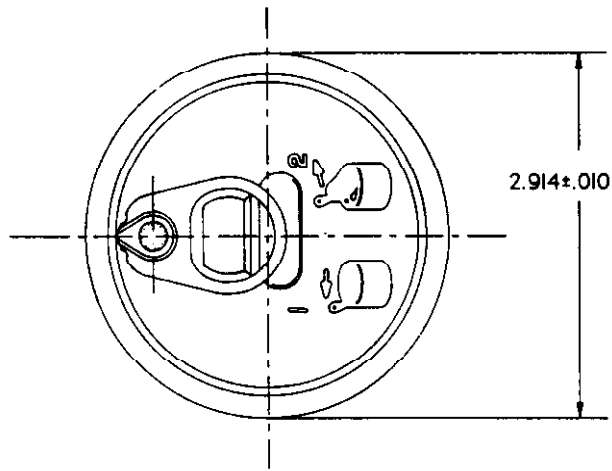
REDRAWN IN CAD



CUSTOMER SPECIFICATION

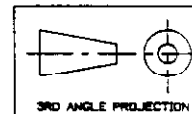
 AUTOMATED
 CONTAINER
 CORPORATION

By ZYSSET	QC	Date 09-04-1997	Specs ME-211-2
Name 211 DOUBLESAFE [®] SYMBOLEND		Material ALUMINUM	Sheet No. 1 of 2



ENDS DO NOT NEST
 FILE: 211DS2E2

Rev.	2
Date	08-20-97



CUSTOMER SPECIFICATION



**AUTOMATED
CONTAINER
CORPORATION**

Exp.

S.C.

Sup.

Spec.

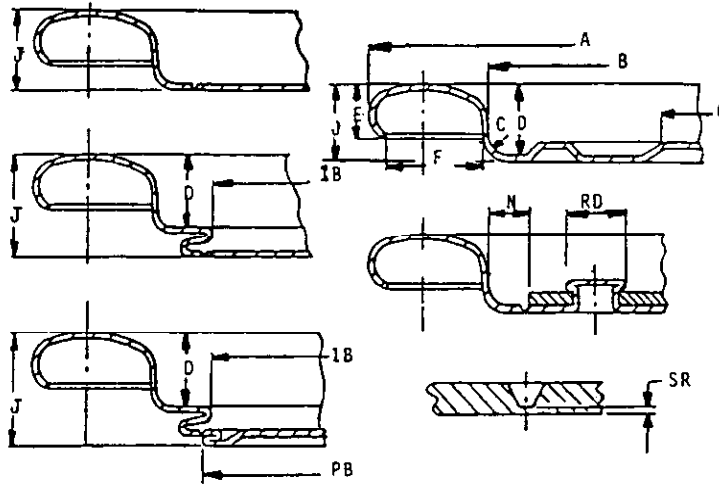
Spec. No. **D-001**
Sheet No.

Rev. **0**
Date **12-83**

METAL END DEFINITIONS

DIMENSIONS

The diagrams below define the measurements used in Automated Container's metal end specifications. The lettering is consistent with the letters used in CCTI recommended industry standards, EXCEPT for Easy Open Ends since CCTI specifications are non-existent.



DEFINITIONS

<u>Dim.</u>	<u>Description</u>
A	Outside Curl Diameter
B	Countersink Diameter at Reference Height (Also called Chuck Fit)
C	Countersink/Radius (As measured on punch core)
D	Countersink Depth
E	Curl Height (Also called Curl Thickness)
F	Curl Opening (Also called Pin Clearance)
G	Central Panel Diameter
J	Overall Height
IB	Inside Bead Diameter
RD	Rivet Diameter
SR	Score Residual Thickness
TN	Tab Nose to chuck wall distance
PB	Panel Bead Diameter

10-11-83

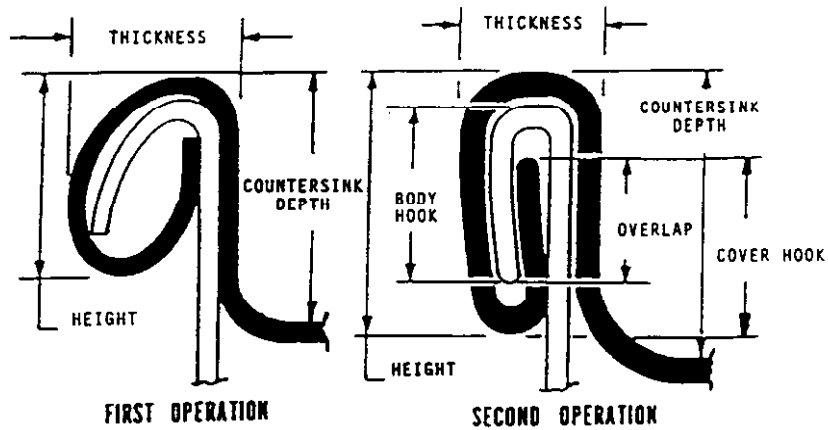
CUSTOMER SPECIFICATION



AUTOMATED
CONTAINER
CORPORATION

Emp.	O.C.	Mfg.	Sales	Spec. No.	D-002	Rev.
EZ				Sheet No.		Date 5/93

Name _____ END SEAMING DEFINITIONS



COUNTERSINK DEPTH (CS) - The Measurement from the top edge of the double seam to the end panel or top of the rim fold adjacent to the chuck wall as shown on both, first and second operation cross sections.

The countersink reflects the lip height of the seaming chuck and should not be more than .003 - .006" (0.08- 0.15 mm) deeper than the height of the chuck.

Increased countersink will pull metal from the rimfold and end panel and could cause score failures and metal fractures in the CS radius.

CUSTOMER SPECIFICATION



AUTOMATED
CONTAINER
CORPORATION

By
ZYSSET

d.c.

Date

06-07-1996

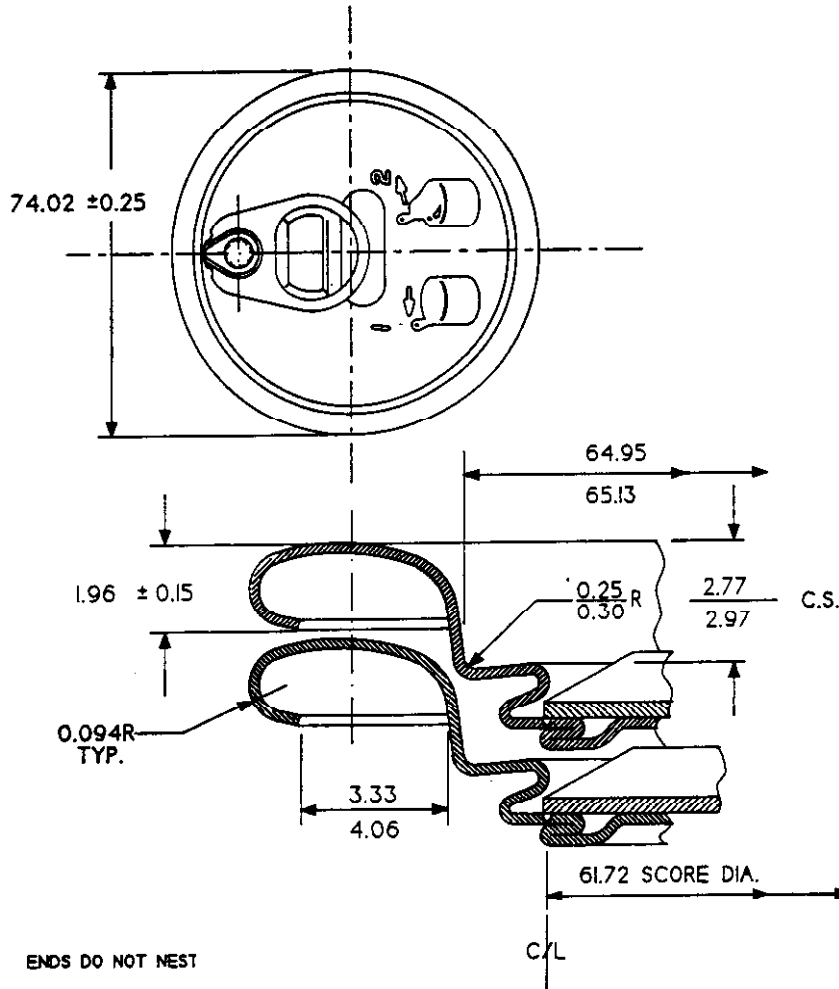
Spec. ME-211-2

Material ALUMINUM

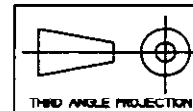
Sheet No. 2 OF 2

Name
65 mm DOUBLESAFE® EMBOSS SYMBOLEND

METRIC



Rev.	A
Date	07/08/97



FILE: ZH05E8H

CUSTOMER SPECIFICATION



AUTOMATED
CONTAINER
CORPORATION

By
ZYSSET

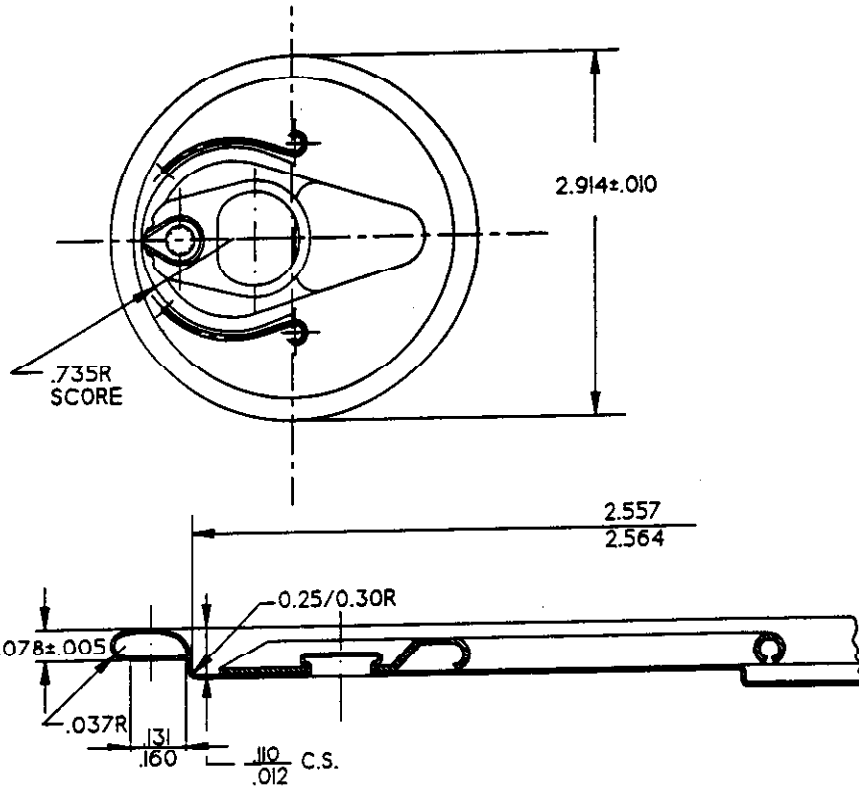
QC

Date

Rev 08-14-1997
Material ALUMINUM

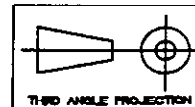
Spec. ME-211-03
Sheet No. 1 OF 2

Name
211 POUR SPOUT. LITTERPROOF



ENDS DO NOT NEST

Rev.	
Date	



CUSTOMER SPECIFICATION



AUTOMATED
CONTAINER
CORPORATION

By

ZYSSET

no.

date

08-14-1997

Spec. ME-211-03

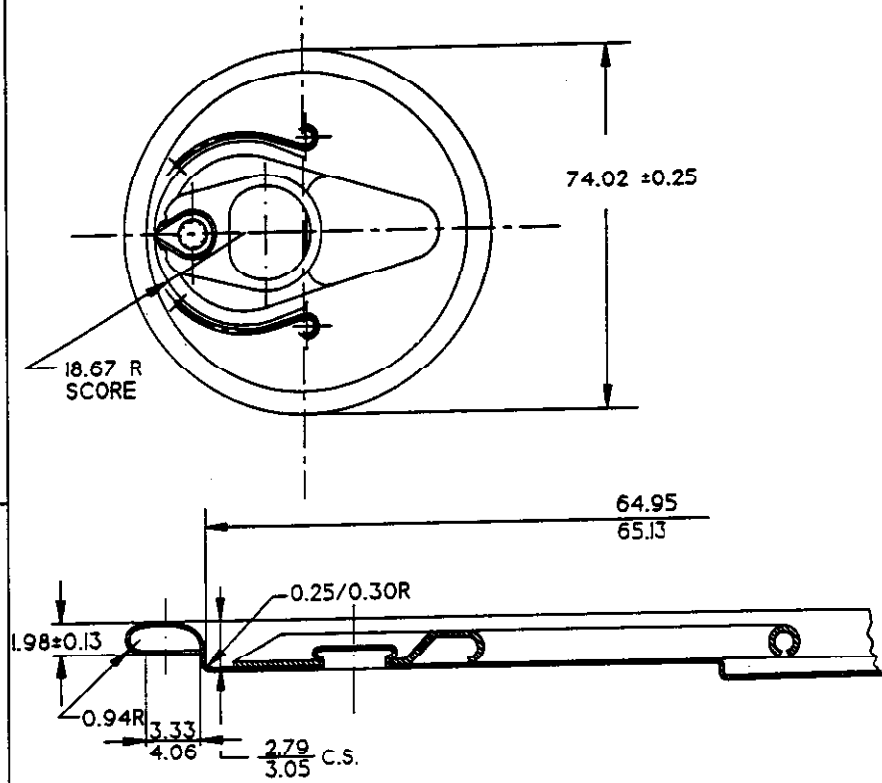
Material ALUMINUM

Sheet No. 2 OF 2

Name

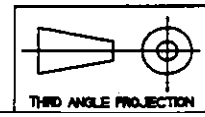
65 MM POUR SPOUT. LITTERPROOF

METRIC



ENDS DO NOT NEST

Rev.	
Date	



FILE: 21030M

CUSTOMER SPECIFICATION



AUTOMATED
CONTAINER
CORPORATION

By
ZYSSET

Chk.

Date

09-05-1997

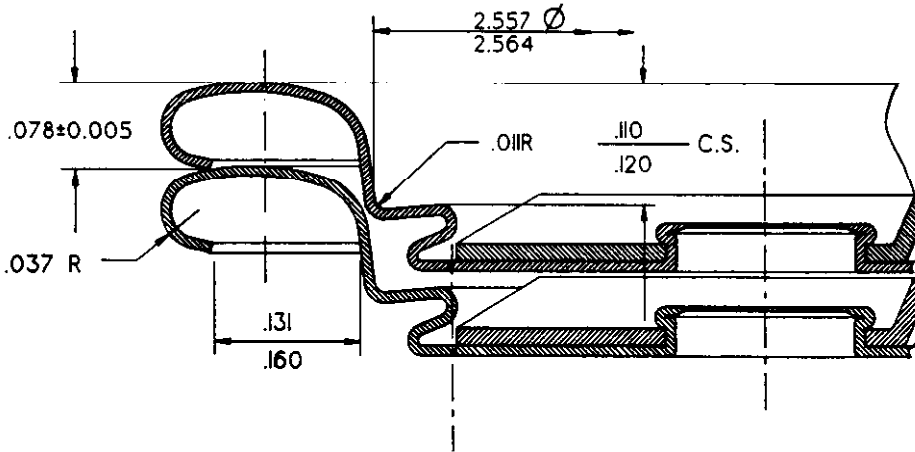
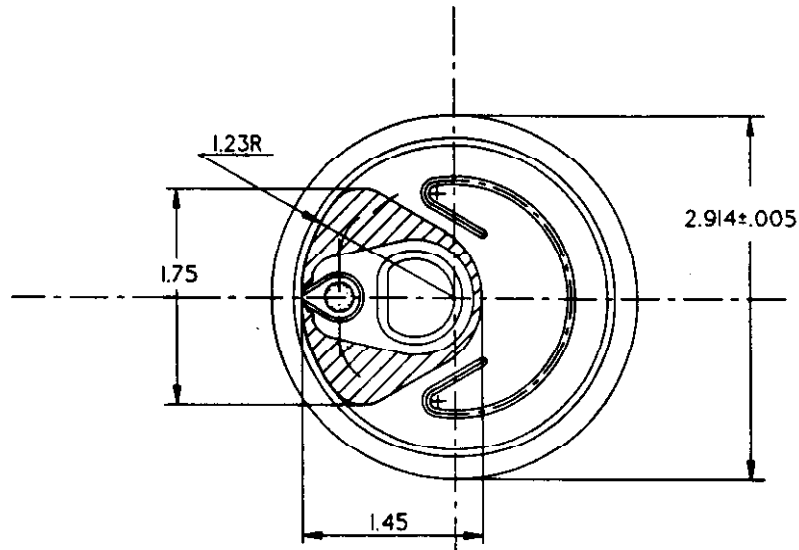
Part No. ME-2II-4

Material ALUMINUM

Sheet No. 1 OF 2

Name

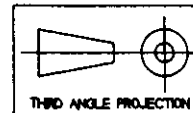
2II PORTIONPOUR® END



ENDS DO NOT NEST

Rev.	3
Date	09-05-1997

FILE: 2IIAPP3

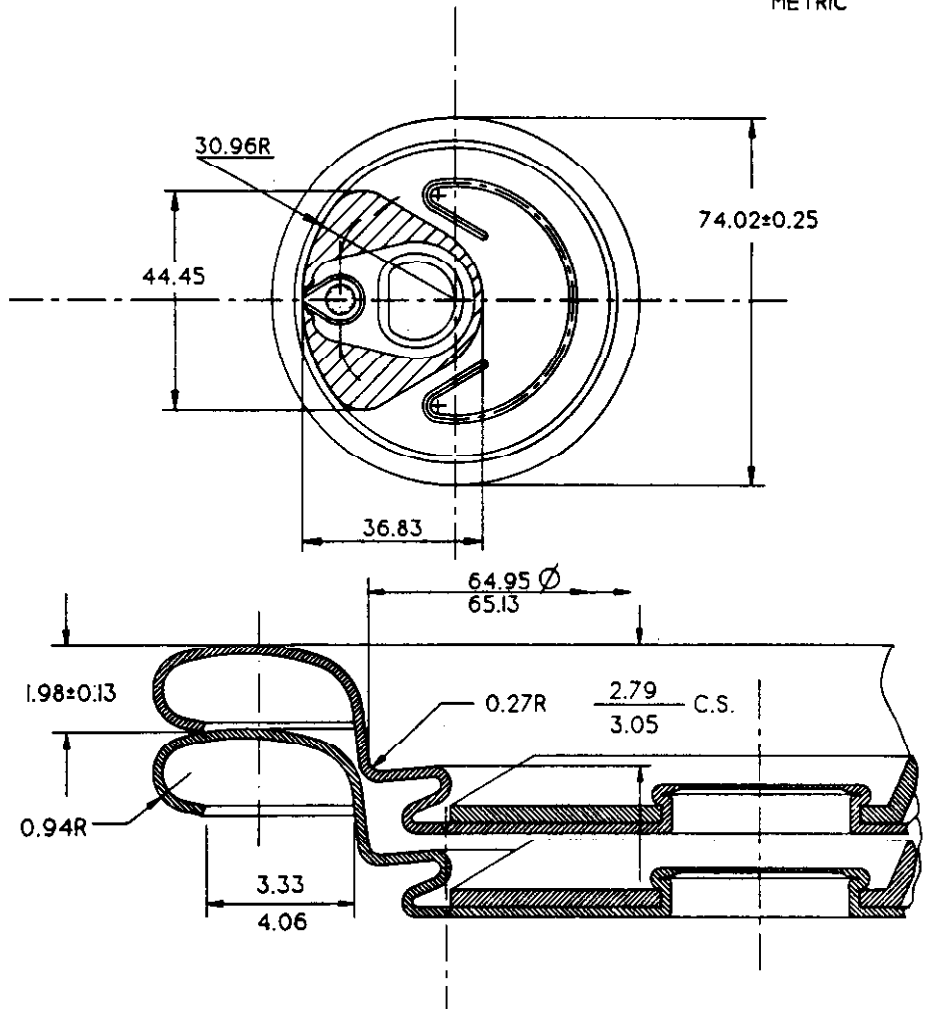


CUSTOMER SPECIFICATION

 AUTOMATED
 CONTAINER
 CORPORATION

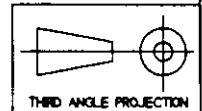
By	QC	Date	09-05-1997	Quota	ME-211-4
ZYSSET		Material	ALUMINUM	Sheet No.	2 OF 2
Name 65 mm PORTIONPOUR® END					

METRIC



ENDS DO NOT NEST

Rev.	3
Date	09-05-1997

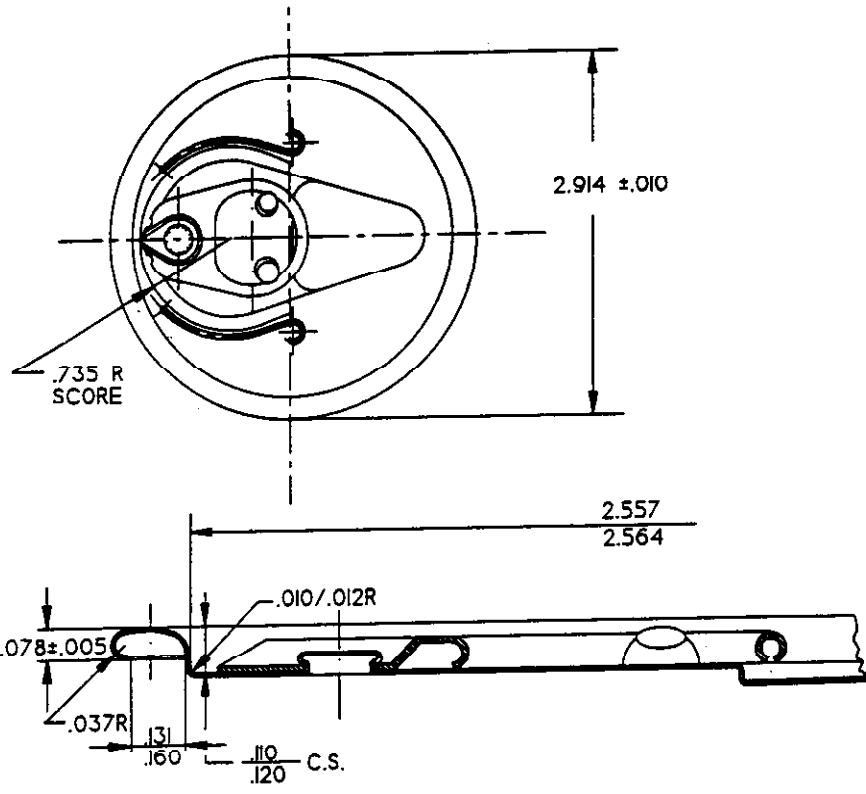


FILE: 284PPH3

CUSTOMER SPECIFICATION
 AUTOMATED
 CONTAINER
 CORPORATION

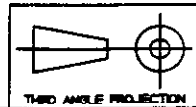
Fig.	QC	Rev.	Date 08-14-1997	Spec. ME-211-08
ZYSSET			Material ALUMINUM	Sheet No. 1 OF 2

Name 211 POUR SPOUT. CHILD RESISTANT



ENDS DO NOT NEST

Rev.	
Date	



FILE: 211080E

CUSTOMER SPECIFICATION
 AUTOMATED
 CONTAINER
 CORPORATION

By
 ZYSSET

D.C.

Date

08-14-1997

Drawn ME-211-08

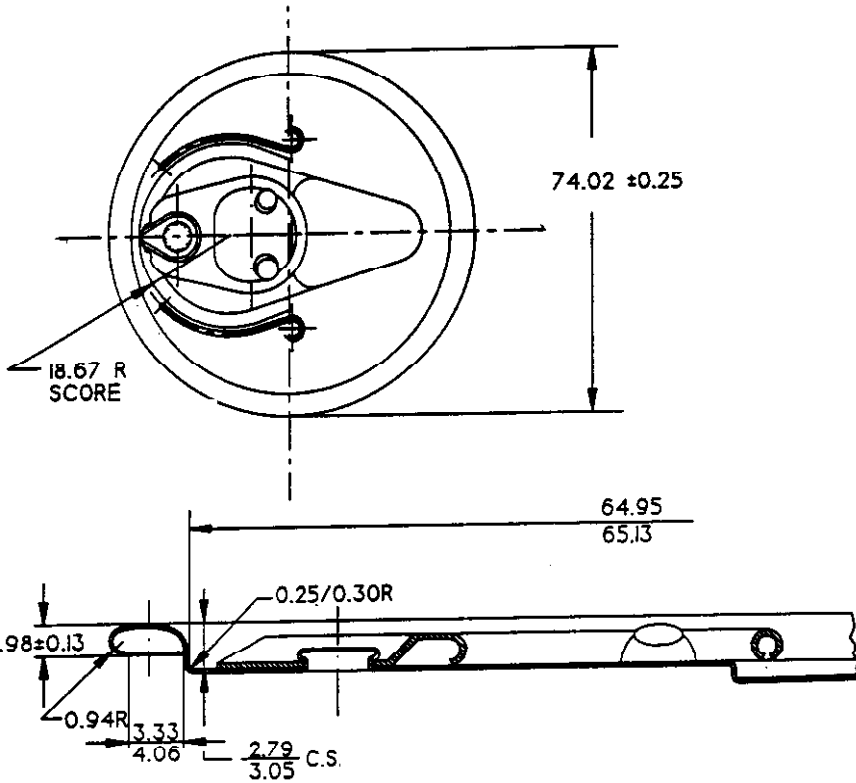
Material ALUMINUM

Sheet No. 2 OF 2

Name

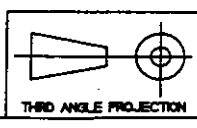
65 MM POUR SPOUT. CHILD RESISTANT

METRIC



ENDS DO NOT NEST

Rev.	
Date	



© E. 29000M

CUSTOMER SPECIFICATION



AUTOMATED
CONTAINER
CORPORATION

Eng.
ZYSSET

Q.C.

Sales

Date 10-24-94

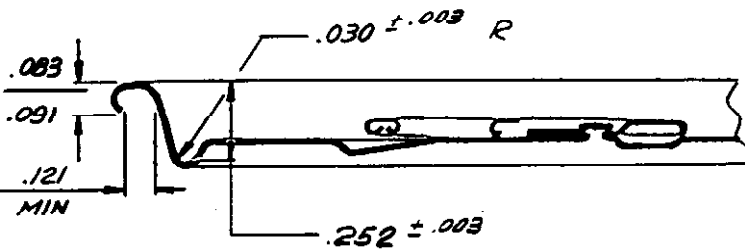
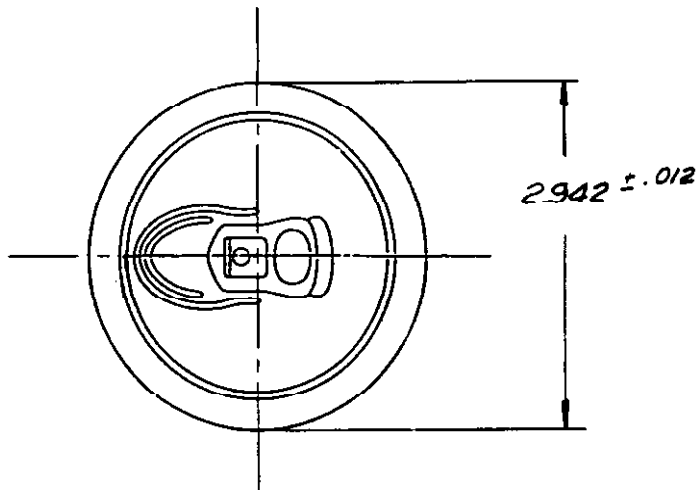
Spec. No. ME-211-11

Material 85# STEEL

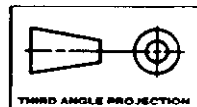
Sheet No. 1 of 2

Name 211 STEEL 50T END

REF.: CR-431081-A; PROFILE XP-1681



Rev.	
Date	



THIRD ANGLE PROJECTION

CUSTOMER SPECIFICATION



AUTOMATED
CONTAINER
CORPORATION

Eng. *ZISSET*

D.C.

Revs

Date *10-24-96*

Spec. No. *ME-21-11*

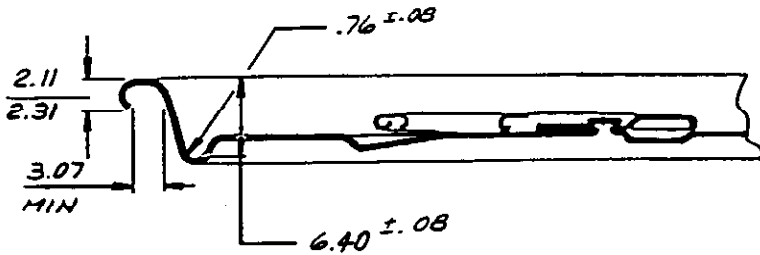
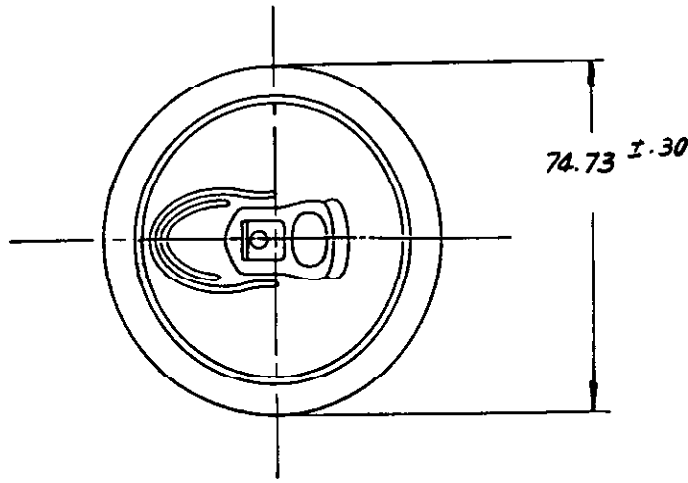
Material *24 mm STEEL*

Sheet No. *2 of 2*

Name *65 mm STEEL SOT END*

REF: CR-431081-A; PROFILE XP-1681

METRIC DIM.



0-6 Drawing, Inc. 8071 Form 8000 April 200

Rev:	
Date:	

