

**SECTION 6**

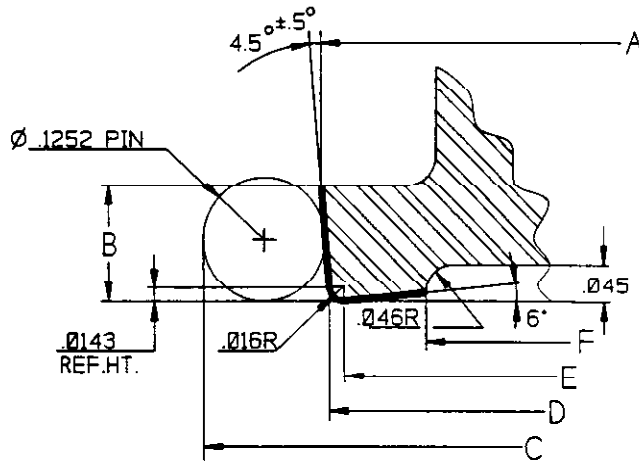
**CUSTOMER SPECIFICATION INDEX**

**SEAMING CHUCKS**

<b>SPECIFICATION NUMBER</b>	<b>NAME</b>
SC-100	All SAFERIM® Seaming Chucks
SC-101	All DOUBLESAFE® Seaming Chucks
SC-201.5-1	201.5 Seaming Chuck Profile
SC-202-2	202 SOT Seaming Chuck Profile
SC-207.5-1	207.5 Seaming Chuck Profile
SC-211-5	211 Flat Panel Seaming Chuck
SC-300-2	300 Steel S.O.T. Seaming Chuck Profile
SC-307-1	307 3/F Seaming Chuck - Massillon
SC-401-3	401 RIMSAFE® Seaming Chuck
SC-401-4	401 Tara-Tara Seaming Chuck Profile
SC-401-5	401 Flat Panel Seaming Chuck Profile
SC-502-1	502 Flat Panel Seaming Chuck Profile

CUSTOMER SPECIFICATION  
 AUTOMATED  
 CONTAINER  
 CORPORATION

By ZYSSET  
 Date  
 Rev. 05-15-2000  
 Name SEAMING CHUCK PROFILE FOR SAFERIM®  
 Material ---  
 Sheet No. 1 of 1



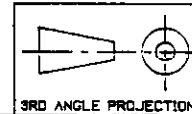
DIMENSIONS

END SIZE	A	B	C	D	E	F
202	2.066	.117	2.308	2.050	2.010	1.872
208	2.397	.120	2.630	2.380	2.348	2.266
211	2.581 <sup>ⓐ</sup>	.120	2.822	2.564	2.532	2.400
300	2.871	.120	3.111	2.854	2.822	2.740
303	3.051	.120	3.292	3.034	3.002	2.910
307	3.287	.120	3.527	3.270	3.238	3.155
309	3.412	.120	3.652	3.395	3.363	3.285
401	3.904	.120	4.145	3.887	3.885	3.709

<sup>ⓐ</sup> NOTE: LIGHTLY SANDBLAST SHADED AREA UPON FINISH TO GRIP ENDS

FILE SCHEM

Rev.	ISSUED	BY	DATE
1	4-25	1999	



CUSTOMER SPECIFICATION



AUTOMATED  
CONTAINER  
CORPORATION

By  
ZYSSET

Ac

Date

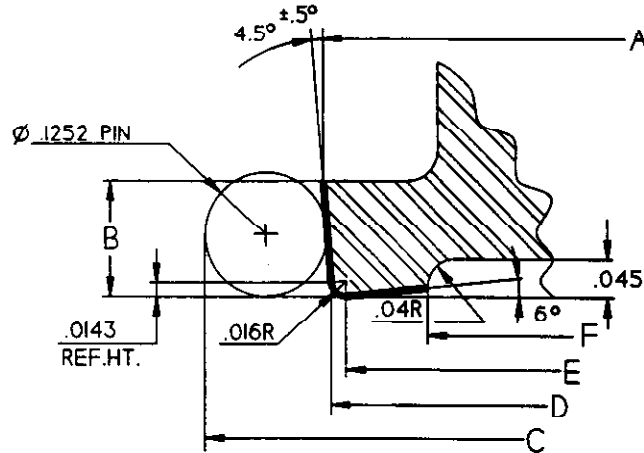
Rev. 05-15-2000

Spec. SC - 101

Material ---

Sheet No. 1 of 1

SEAMING CHUCK PROFILE: DOUBLESAFE®

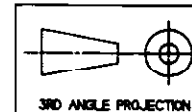


END SIZE	DIMENSIONS						
	A	B	C	D	E		
211	2.582 (B)	0.120	2.8217	2.5650	2.3990		
300TB	2.871	0.120	3.1110	2.8540	2.740		
401	3.902	0.110	4.1450	3.8870	3.7075		

©  
NOTE: LIGHTLY SANDBLAST SHADED AREA UPON FINISH TO GRIP ENDS

File: SC101

Date	Rev.	Issued	By	Checked	Notes
05-15-2000	01	05-15-2000	ZYSSET		CHANGE NOTE
05-15-2000	02	05-15-2000	ZYSSET		CHANGE NOTE



3RD ANGLE PROJECTION

CUSTOMER SPECIFICATION



AUTOMATED  
CONTAINER  
CORPORATION

By  
ZYSSET

d.c.

Date

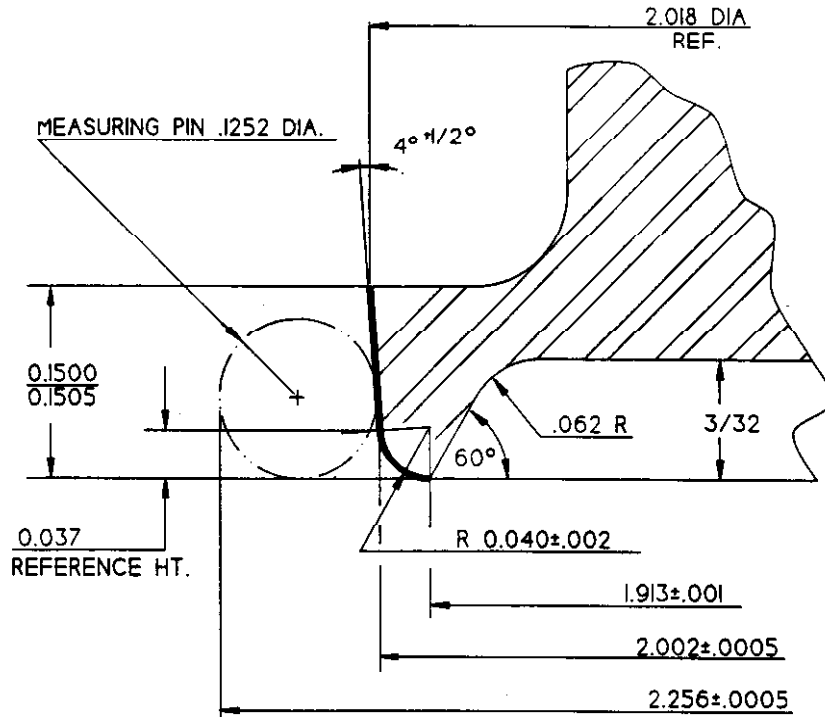
Rev. Date 05-15-2000

Spec. No. SC-201.5

Material —

Sheet No. 1 OF 1

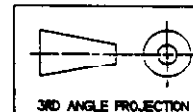
Name  
**201.5 SEAMING CHUCK PROFILE**



NOTE: LIGHTLY SANDBLAST SHADED AREA UPON FINISH TO GRIP END

FILE: SC201.5

Rev.	A
Date	05-15-2000
CHANGE NOTE	



CUSTOMER SPECIFICATION



AUTOMATED  
CONTAINER  
COMPANY

By  
ZYSSET

QC

Date

Part No. 05-15-2000

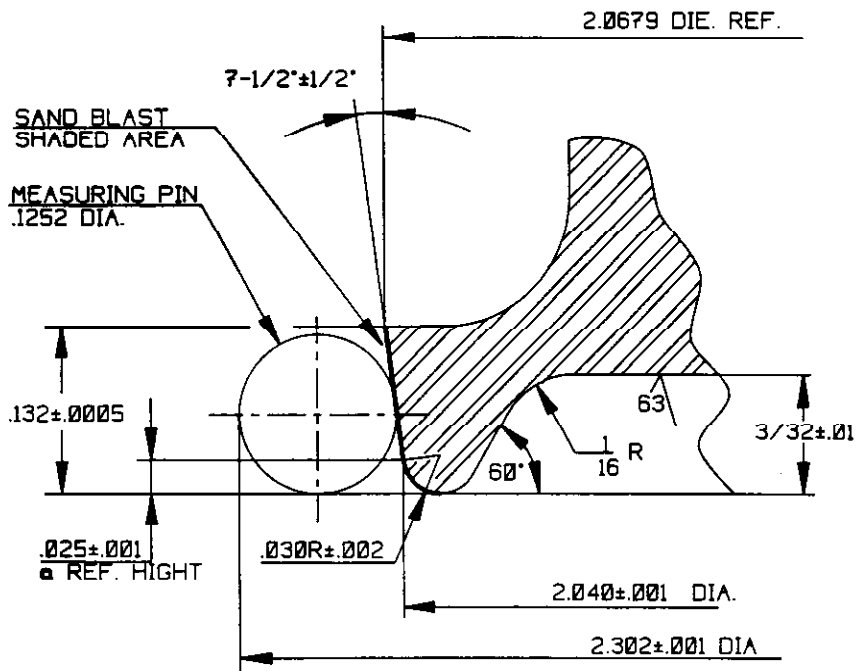
Spec. No. SC-202-2

Material ---

Sheet No. 1 of 1

Name

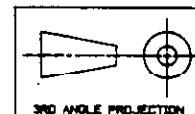
202 SOT SEAMING CHUCK PROFILE



NOTE: LIGHTLY SANDBLAST SHADED AREA UPON FINISH TO GRIP END.

FILE: SC-202-2

Rev.	Issued	By	Checked	Notes
1	ISSUED	ZYSSET		
2	CHANGED			
3	CHANGED			
4	CHANGED			
5	CHANGED			



CUSTOMER SPECIFICATION



AUTOMATED  
CONTAINER  
CORPORATION

Eng.

€

Q.C.

Sales

Date 10-4-94

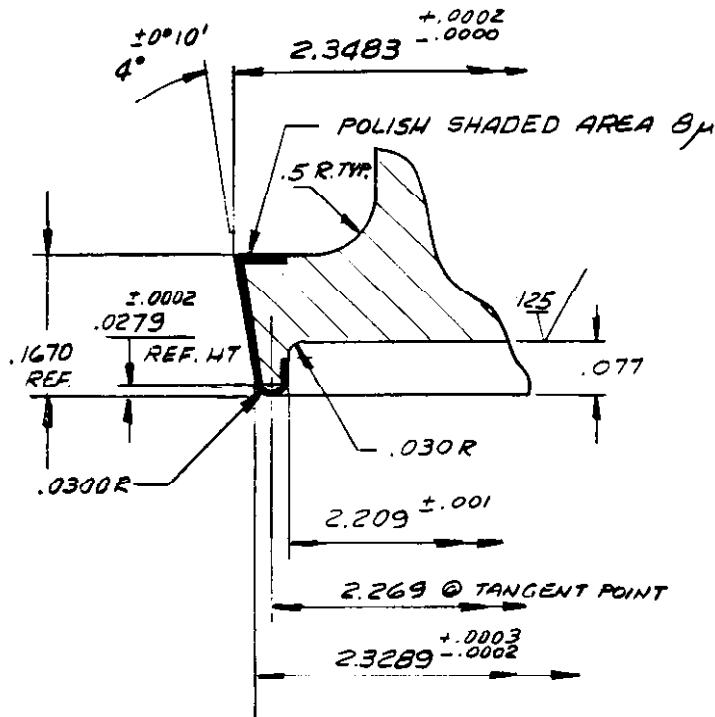
Spec. No. 5C-2075-1

Material AISI 4340TS

Sheet No. 1 of 1

Name 207.5 CHUCK, SEAMING PROFILE

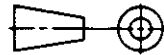
REF:  
D-3000824  
D-3000670



UNSPANNING, INC. 8000 FURN. WAY BEECHER, OHIO

Rev.

Date



THIRD ANGLE PROJECTION

CUSTOMER SPECIFICATION



AUTOMATED  
CONTAINER  
COMPANY

By  
ZYSSET

QC

Date

Part No. 05-15-2000

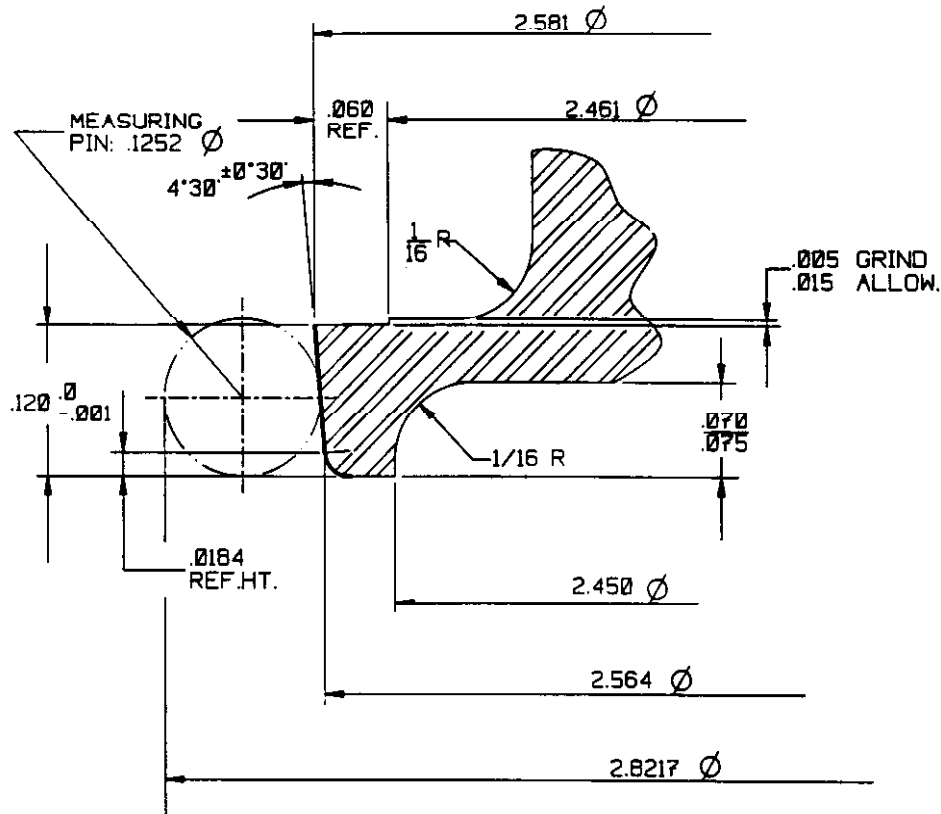
Sheet No.

SC-211-5

1 of 1

Name

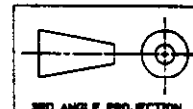
211 FLAT PANEL SEAMING CHUCK



NOTE: LIGHTLY SANDBLAST SHADED AREA UPON FINISH TO GRIP ENDS

FILE: SC2115

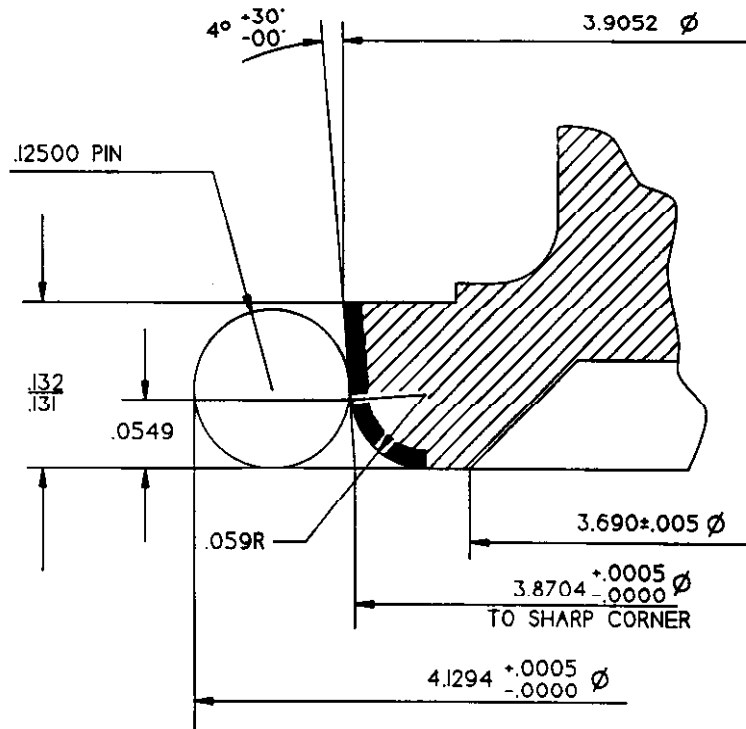
Rev.	ISSUED	REVISION
Date	1955	1955





CUSTOMER SPECIFICATION  
 AUTOMATED  
 CONTAINER  
 CORPORATION

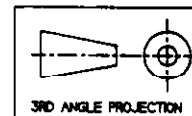
Dep	QC	Rev	Revision 05-15-2000	Spec No. SC-307-1
ZYSSET		Material	—	Sheet No. 1 of 1
Name <b>307 3/F SEAMING CHUCK - MASSILLON</b>				



⊙  
 NOTE: LIGHTLY SANDBLAST SHADED AREA UPON FINISH TO GRIP ENDS

FILE: SC307E  
 FILE: SC3071E

Rev.	CHANGE NOTE
Date	

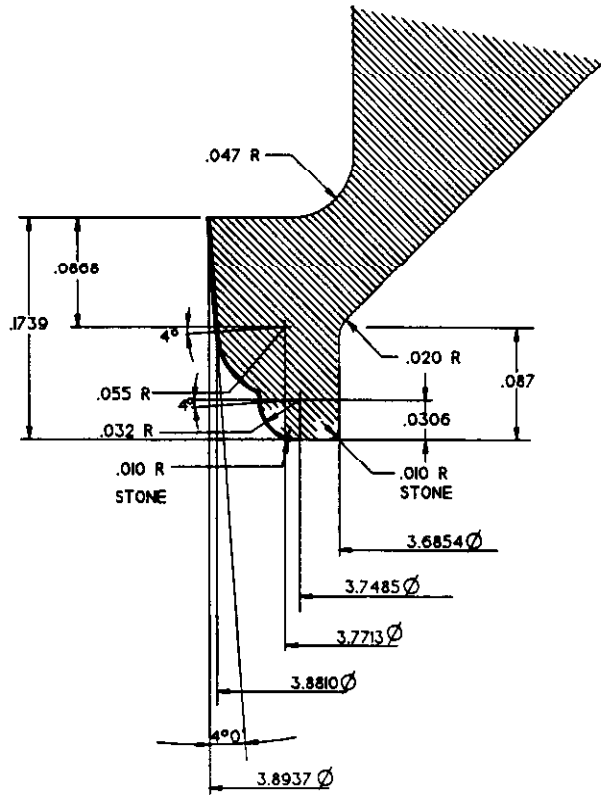


CUSTOMER SPECIFICATION  

 AUTOMATED  
 CONTAINER  
 CORPORATION

By ZYSSET	QC	Rev ---	Rev. Date 05-15-2000	Spec. No. SC-401-3
Name 401 RIMSAFE® SEAMING CHUCK			Material ---	Sheet No. 1 of 1

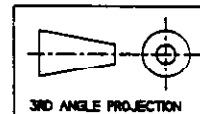
REF.: FOR CR-10054B



●  
 NOTE: LIGHTLY SANDBLAST SHADED AREA UPON FINISH TO GRIP ENDS

FILE: SC4003W

Rev.	1	ISSUED	
Date	05-15-2000	BY: [Signature]	CHKD: [Signature]



CUSTOMER SPECIFICATION



Automated  
CONTAINER  
CORPORATION

Eng.

Q.C.

Spec

Date 10-11-94

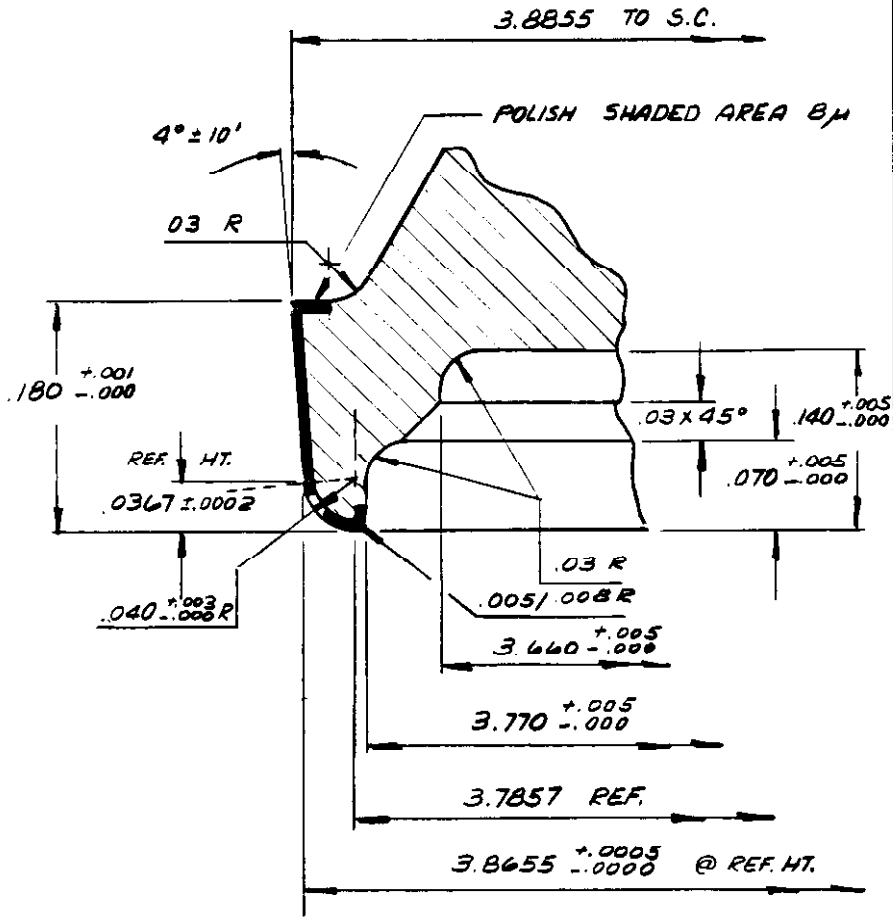
Spec. No. SC-401-4

Material -

Sheet no. 1 of 1

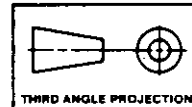
Name 401 TARA TARA® SEAMING CHUCK PROFILE

REF.: D-524190; FOR CR-P-4005036-A



Circle K Drawing, Inc. 80251 Form 8029 8/82 200

Rev.	
Date	



CUSTOMER SPECIFICATION



AUTOMATED  
CONTAINER  
CORPORATION

Eng.

*E*

Q.C.

Sales

Date 10-7-94

Material -

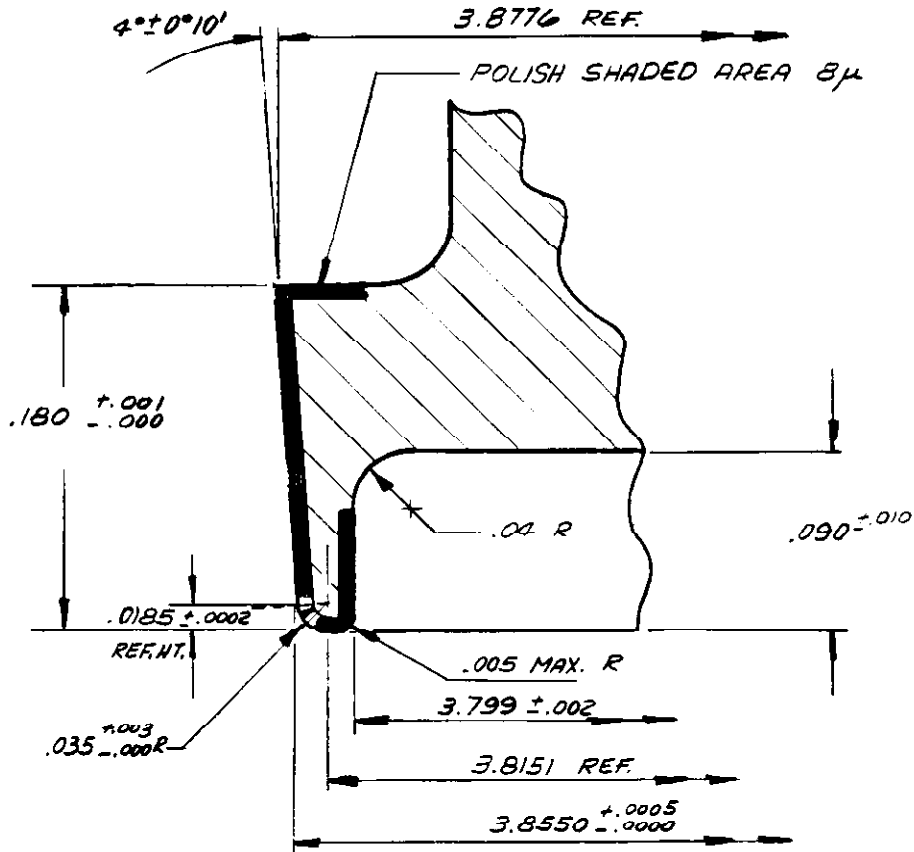
Spec. No. SC-401-5

Sheet No. 1 of 1

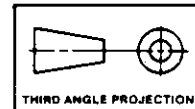
Name

401 FLAT PANEL SEAMING CHUCK PROF.

REF: SEAMING CHUCK SPEC. 14  
END DWG: CR. 438433 - A



Rev.	
Date	



CUSTOMER SPECIFICATION



AUTOMATED  
CONTAINER  
CORPORATION

Eng.

Σ

Q.C.

Sales

Date 10-6-94

Material -

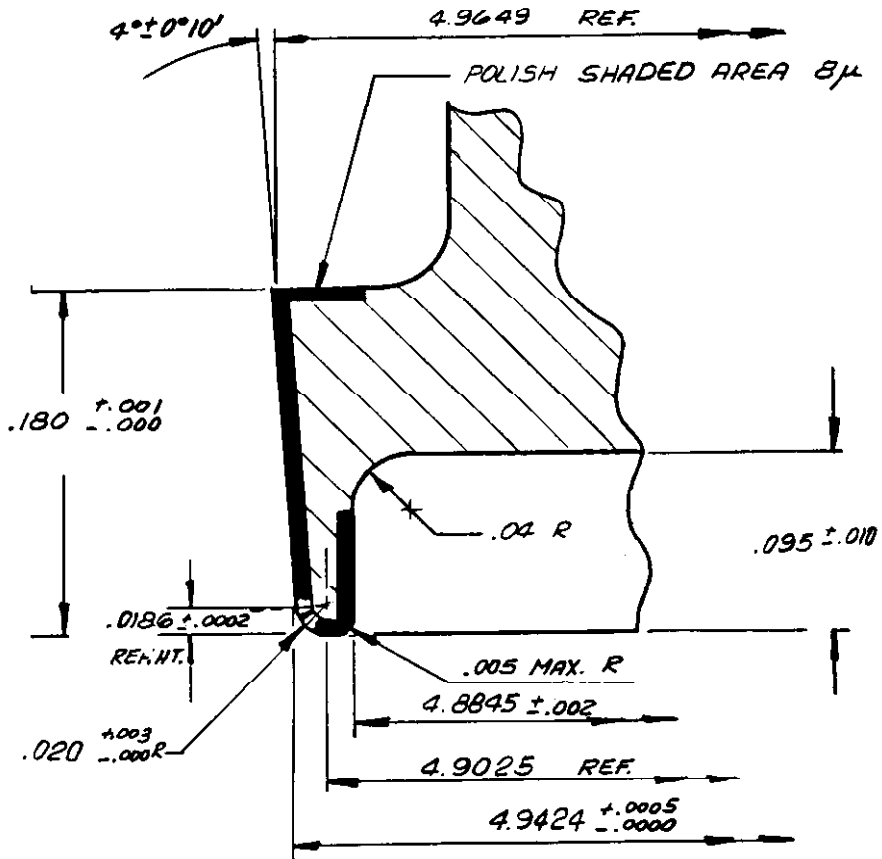
Spec. No. SC-502-1

Sheet No. 1 of 1

Name

502 FLAT PANEL SEMING CHUCK PROFILE

REF.: SEAMING CHUCK SPEC. 14  
END DWG CR 431676 -A



Dixie Seaming, Inc. 80281 Palm 8028 8192 200

Rev.	
Date	

