

SECTION 7

CUSTOMER SPECIFICATION INDEX

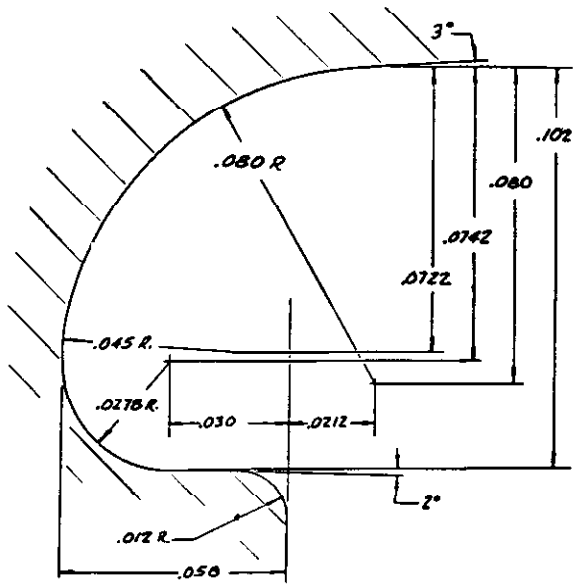
SEAMING ROLL PROFILES

SPECIFICATION NUMBER	NAME
SR-R-6-J	R-6-J Angelus 1st Operation Seaming Roll
SR-R-7	R-7 Angelus 1st Operation Seaming Roll
SR-R-8	R-8 Angelus 1st Operation Seaming Roll
SR-R-11	R-11 Angelus 1st Operation Seaming Roll
SR-R-21	R-21 Angelus 1st Operation Seaming Roll
SR-R-27	R-27 Angelus 1st Operation Seaming Roll
SR-R-29	R-29 Angelus 1st Operation Seaming Roll
SR-R-42	R-42 Angelus 1st Operation Seaming Roll
SR-A-12002W	A-12002W Continental 1 st Operation Seaming Roll
SR-A-12076	A-12076 Continental 1 st Operation Seaming Roll
SR-S-10	S-10 Angelus 2nd Operation Seaming Roll
SR-S-14	S-14 Angelus 2nd Operation Seaming Roll
SR-S-15	S-15 Angelus 2nd Operation Seaming Roll
SR-S-27	S-27 Angelus 2nd Operation Seaming Roll
SR-S34	S-34 Angelus 2 nd Operation Seaming Roll
SR-S-41-G	S-41-G Angelus 2 nd Operation Seaming Roll
SR-S-46	S-46 Angelus 2nd Operation Seaming Roll
SR-S-87	S-87 Angelus 2nd Operation Seaming Roll
SR-S-125	S-125 Angelus 2nd Operation Seaming Roll
SR-A-12067	A-12067 Continental 2 nd Operation Seaming Roll
SR-A-12122	A-12122 Continental 2 nd Operation Seaming Roll
SR-A-12152	A-12152 Continental 2 nd Operation Seaming Roll
SR-A-12169	A-12169 Continental 2 nd Operation Seaming Roll



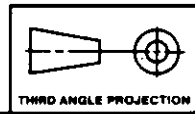
AUTOMATED
CONTAINER
CORPORATION

Eng. E	Q.C.	Sales	Date 10-11-94	Spec. No. SR-R-7
Name R-7, 1ST. OP. ANGELUS SEAMING PROFILE			Material	Sheet No. 1 of 1



CAE Drawing Inc. 80251/Rev. 9039 B 92'00

Rev.	
Date	



CUSTOMER SPECIFICATION



AUTOMATED
CONTAINER
CORPORATION

Eng.

D.C.

Sales

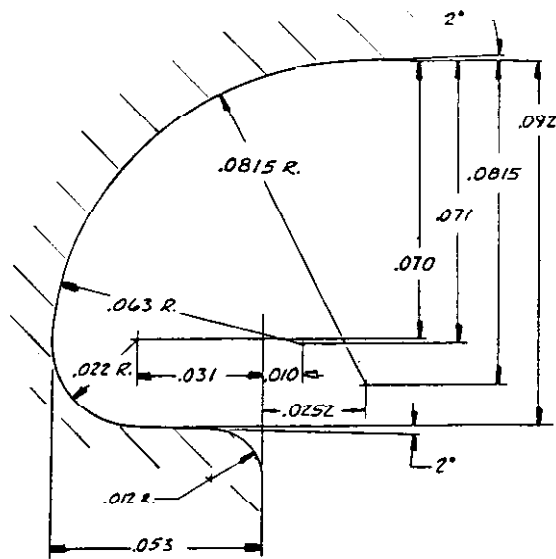
Date 10-11-94

Spec. No. SR-R-8

Material -

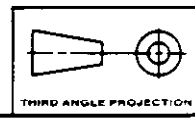
Sheet No. 1 of 1

Name R-8, 1ST. OR. ANGELUS SEAMING PROFILE



DATE

Rev	
Date	



CUSTOMER SPECIFICATION



AUTOMATED
CONTAINER
CORPORATION

Eng.

Q.C.

Sales

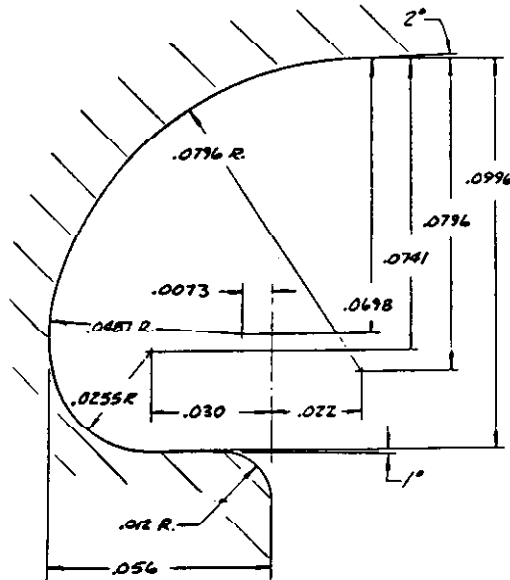
Date 10-11-94

Spec. No. SR-R-11

Material -

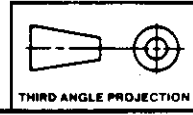
Sheet No. 1 of 1

Name R-11, 1ST. OP. ANGELUS SEAMING PROFILE



Circle Printing, Inc. 80001 Turn Mill Rd. 997200

Rev.	
Date	



CUSTOMER SPECIFICATION



AUTOMATED
CONTAINER
CORPORATION

Eng.

E

D.C.

Sales

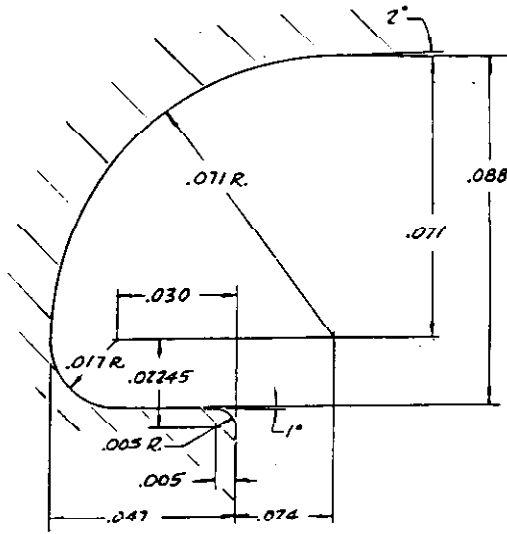
Date 10-11-94

Material -

Spec. No. SR-R-21

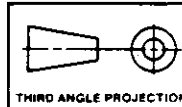
Sheet No. 1 of 1

Name R-21 1ST. OP. ANGELUS SEAMING PROFILE



Use Drawing, Inc. 80251 Form 8025 8 92 200

Date	Rev.



CUSTOMER SPECIFICATION



AUTOMATED
CONTAINER
CORPORATION

Eng.

W

Q.C.

Sales

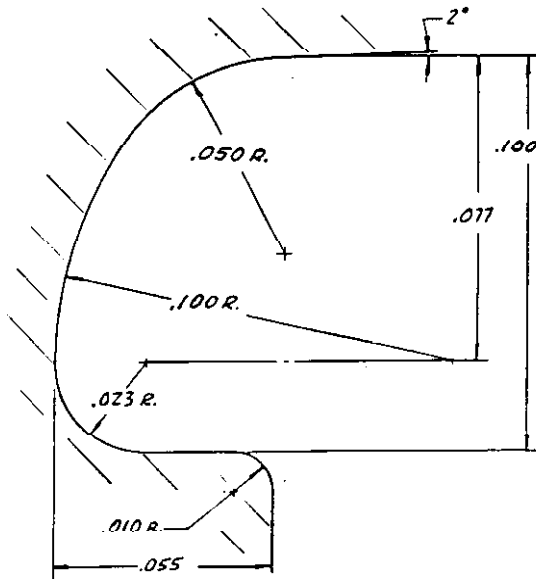
Date 10-11-94

Spec. No. SR-R-27

Material -

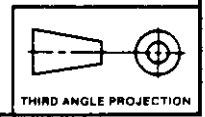
Sheet No. 1 of 1

Name R-27; 1ST OP ANGELUS SEAMING PROFILE



Use Existing file #0267 from 9/28/83 1/2/200

Date	Rev.



CUSTOMER SPECIFICATION



AUTOMATED
CONTAINER
CORPORATION

Eng.

6

D.C.

Specs

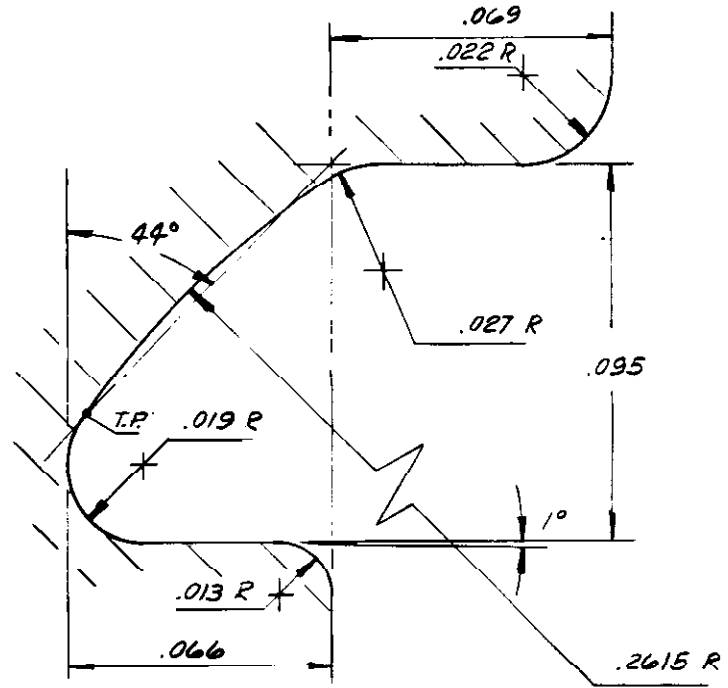
Date 10-10-94

Spec. No. SR-R-29

Material -

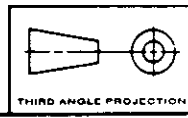
Sheet No. 1 of 1

Name R-29 1ST. OP. ANGELUS SEAMING PROFILE



Circle Drawing for 84251 Form 9415 B 92 200

Date	Rev.



CUSTOMER SPECIFICATION



AUTOMATED
CONTAINER
CORPORATION

Eng.

Q.C.

Sales

Date 10-11-94

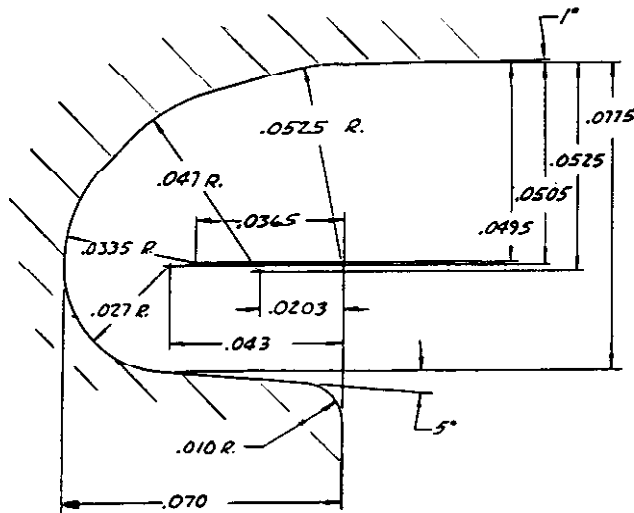
Spec. No. SR-R-42

Ⓢ

Material -

Sheet No. 1 of 1

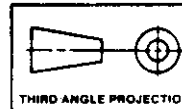
Name R-42, 1ST OF ANGELUS SEAMING PROFILE



Co. of Durang, Inc. 80261 Form 9039-B 92-200

Rev.

Date



THIRD ANGLE PROJECTION

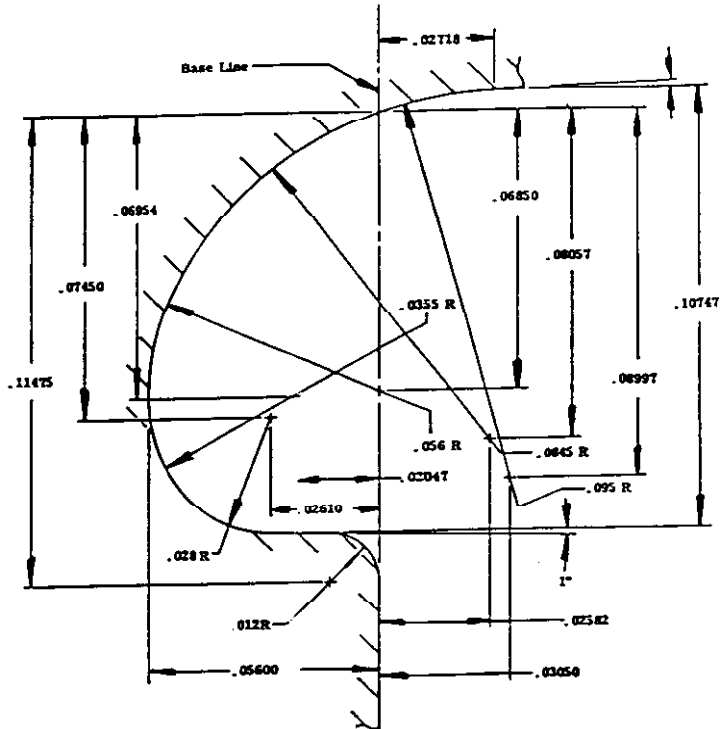
CUSTOMER SPECIFICATION



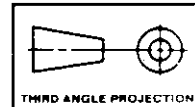
AUTOMATED
CONTAINER
CORPORATION

Eng. E	Q.C.	Sales	Date 10-12-94	Spec. No. 5R-A-12002W
Name A-12002W 1ST OP SEAMING PROFILE			Material -	Sheet No. 1 of 1

REF: EQUIV. TO ANGELUS R4
CR-P4005036-A



Rev.	
Date	



CUSTOMER SPECIFICATION



AUTOMATED
CONTAINER
CORPORATION

Eng.
E

Q.C.

Sales

Date **10-10-90**

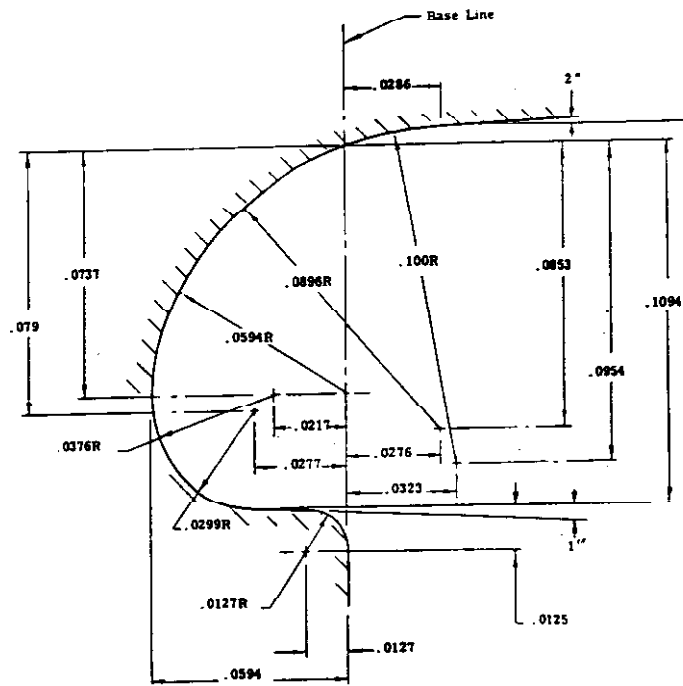
Material -

Spec. No. **SR-A-12076**

Sheet No. **1 of 1**

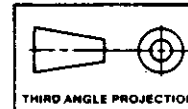
Name **A-12076 1ST. OP. SEAMING ROLL PROFILE**

REF: FOR CR 031676-A



U.S. Bunting Inc. 80357 Farm 9/19 & 9/2/200

Date	Rev



CUSTOMER SPECIFICATION



AUTOMATED
CONTAINER
CORPORATION

Eng. *E*

D.C.

Scale

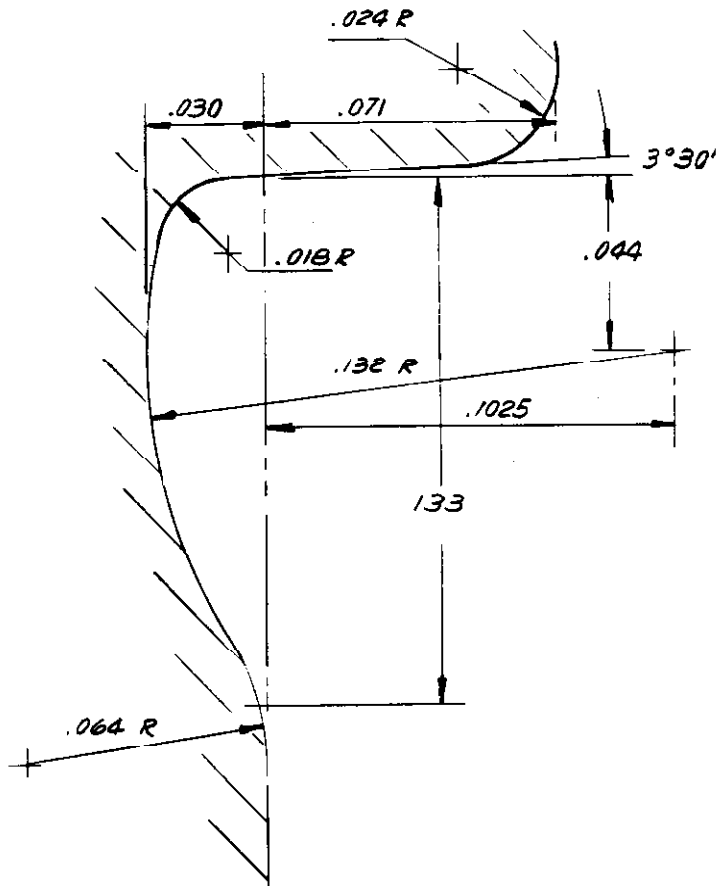
Date 10-10-84

Spec. No. SP-5-10

Material

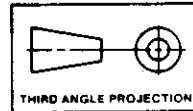
Sheet No. 1 of 1

Name 5-10, END OF ANGELUS SERMING PROFILE



Ch. Bunnig, Inc. 00261 Form 9038 8-97 200

Rev.	
Date	



CUSTOMER SPECIFICATION



AUTOMATED
CONTAINER
CORPORATION

Eng. *E*

Q.C.

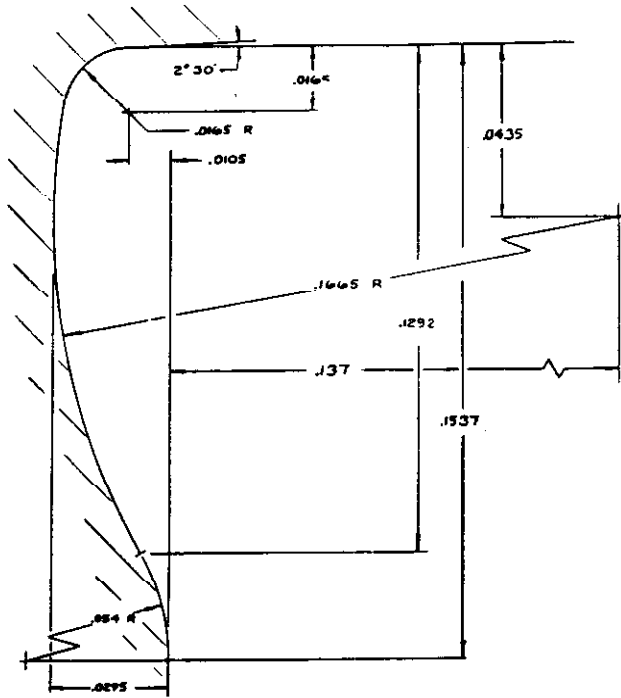
Sales

Date 10-11-94

Spec. No. SR-5-14

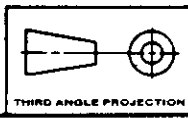
Sheet No. 1 of 1

Name 5-14, 2ND OP. ANGELUS SEAMING PROFILE



USA BOLLING, INC. 8000 FURNACE BLVD. W. OK

Date	Rev.



CUSTOMER SPECIFICATION



AUTOMATED
CONTAINER
CORPORATION

Eng
E

D.C.

Scale

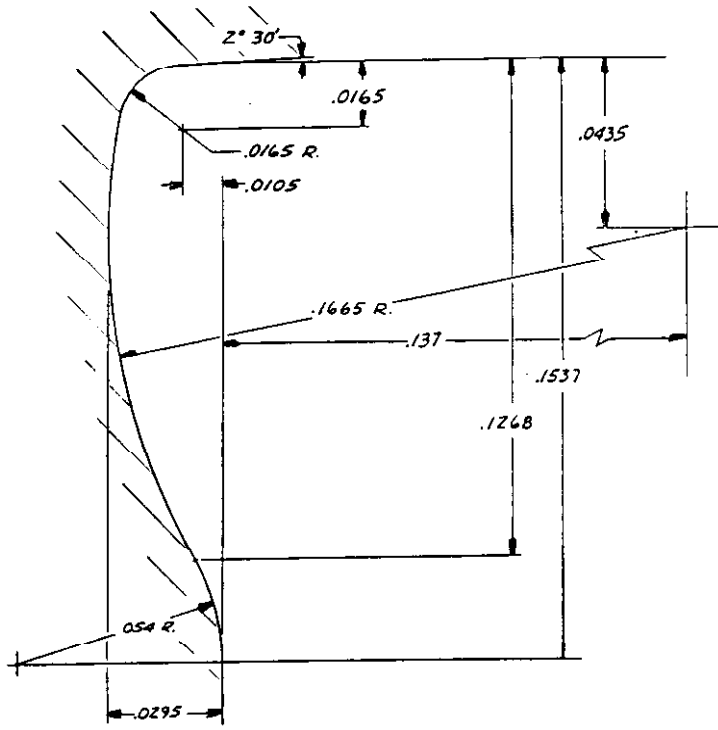
Date 10-11-94

Spec. No. SR-5-15

Material -

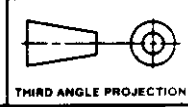
Sheet No. 1 of 1

Name 5-15, 2ND OP. ANGELUS SEAMING PROFILE



LOCK BRIDGING, INC. WWW.LOCKBRIDGING.COM

Date	Rev.



CUSTOMER SPECIFICATION



AUTOMATED
CONTAINER
CORPORATION

Eng.

Q.C.

Sales

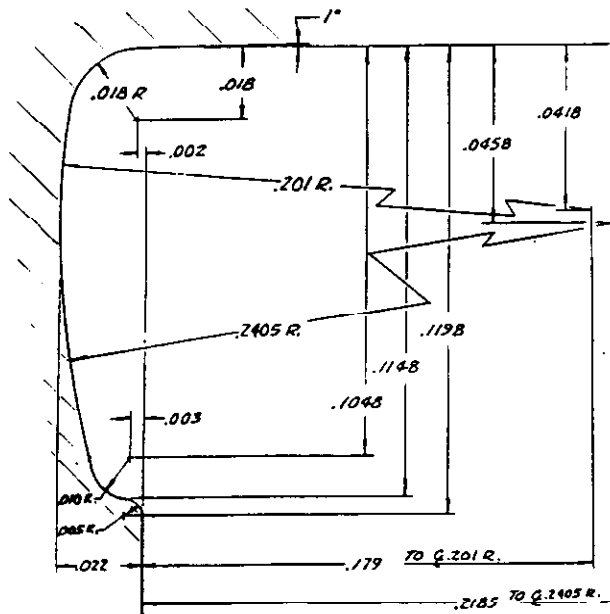
Date 10-11-94

Spec. No. SR-S-27

Material -

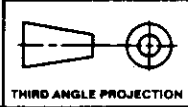
Sheet No. 1 of 1

Name 527, 2ND OP. ANGELUS SEAMING PROFILE



1/4 Bunnip, Inc. 80201 Form 8/1989 9/200

Dim	Rev



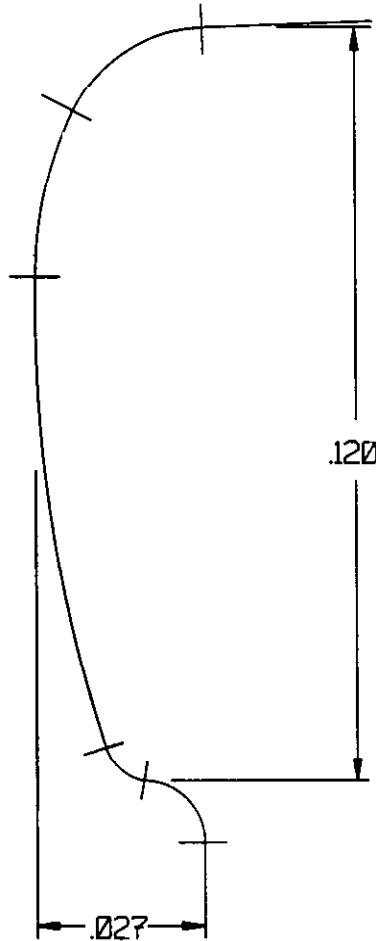
CUSTOMER SPECIFICATION



AUTOMATED
CONTAINER
COMPANY

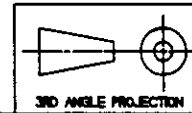
By ZYSSET	d.c.	Rev 02-16-2000	Spec No. SR-S34
Name S-34 2ND OP. ANGELUS SEAMING ROLL PROF.		Material NA	Sheet No. 1 of 1

2ND OPERATION ROLL GROOVE PROFILE, 50X SIZE
 FOR 1ST. OPERATION GROOVE PROFILE SEE R-21
 USE: 2110-0404 METAL CANS FOR LEIGHTWEIGHT PLATE.
 60 LBS. ENDS & 50 LBS BODIES



FILE F-3-678

Rev.	
Date	



CUSTOMER SPECIFICATION



AUTOMATED
CONTAINER
CORPORATION

Eng.
E

Q.C.

Sales

Date 10-5-94

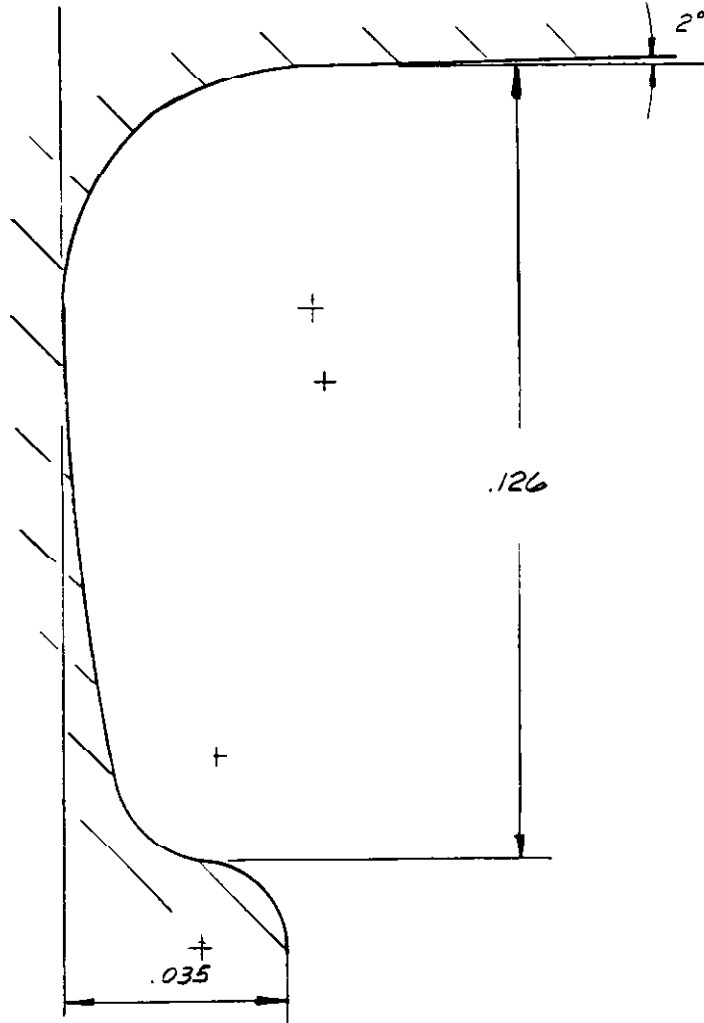
Spec. No. SR-5-41-6

Material -

Sheet No. 1 of 1

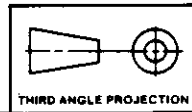
Name
54-G ANGELUS 2ND OP SEAMING PROFILE

USE: 211 FP E20E - DS TYPE 7



USA Printing, Inc. 80251 Linnville Rd. K.V. 230

Date	Rev.



CUSTOMER SPECIFICATION



AUTOMATED
CONTAINER
CORPORATION

Eng.

Q.C.

Sales

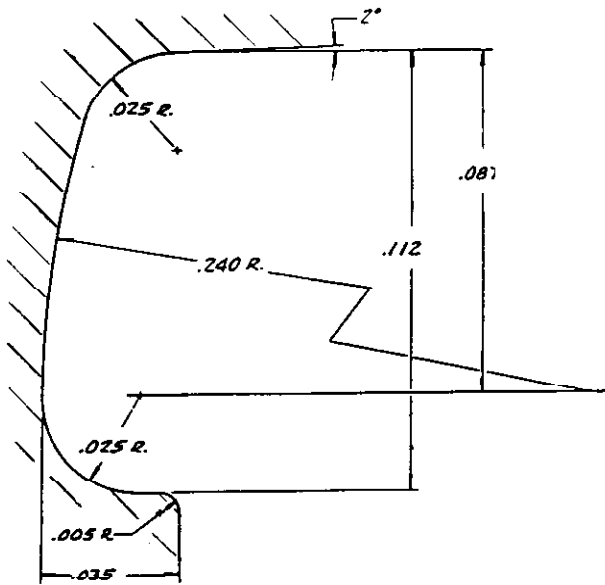
Date 10-11-94

Spec. No. SR-5-46

Material

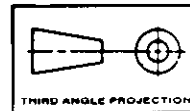
Sheet No. 1 of 1

Name S-46 2ND OP. ANGELUS SEAMING PROFILE



Co. Blending Inc. 80281 Form 9019 8-92-200

Date	Rev.



CUSTOMER SPECIFICATION



AUTOMATED
CONTAINER
CORPORATION

Eng.

E

D.C.

Spec.

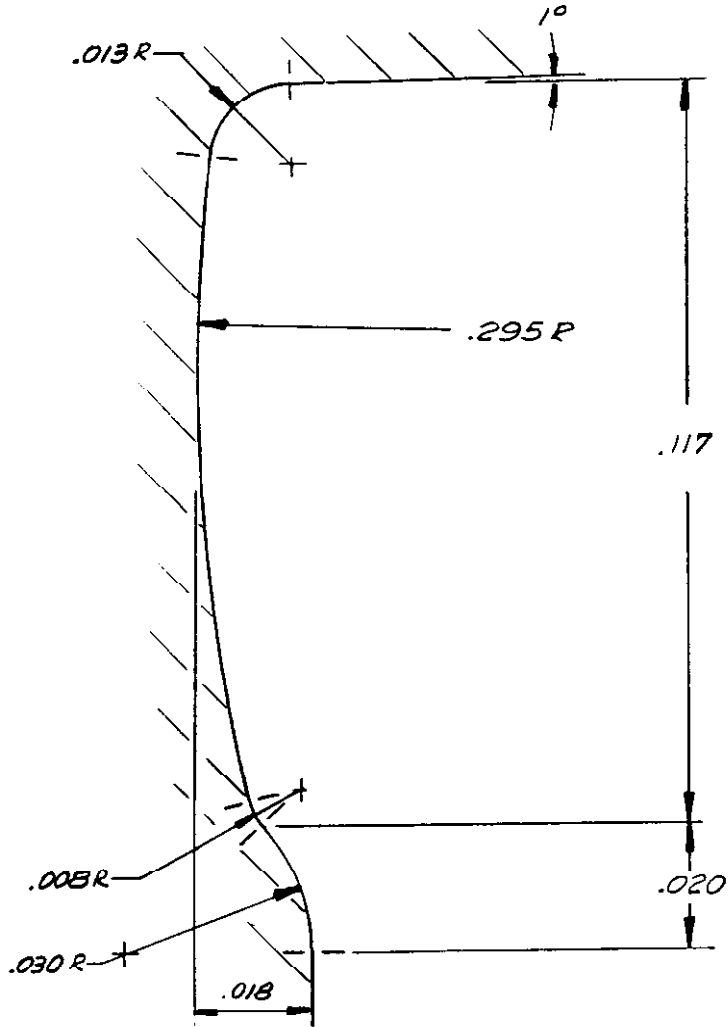
Date 10-11-94

Spec. No. 5R-5-87

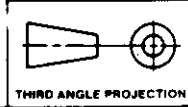
Material

Sheet No. 1 of 1

Name S-87 2ND OR ANGELUS SEAMING PROFILE



Rev.	



10-11-94 10:00 AM

CUSTOMER SPECIFICATION



AUTOMATED
CONTAINER
CORPORATION

Eng.
E

D.C.

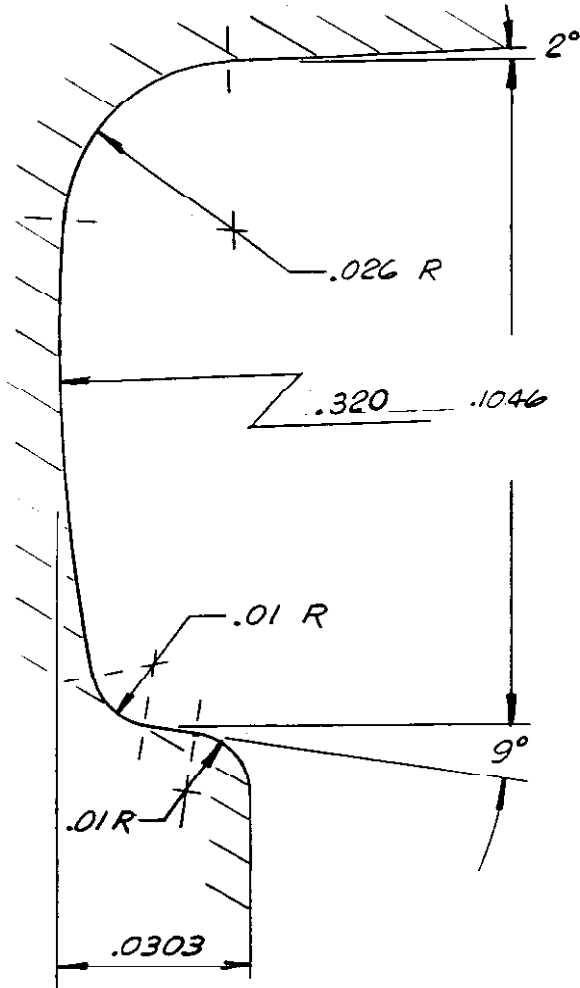
Sales

Date 10-11-94
Material

Spec. No. SR-5-125

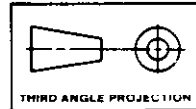
Sheet no. 1 of 1

Name S-125, 2ND OP. ANGELUS SEAMING PROFILE



USE STANDARD INC. DRAWING STYLE 817-010

Date	Rev.



CUSTOMER SPECIFICATION



AUTOMATED
CONTAINER
CORPORATION

Eng.

E

Q.C.

Sales

Date 10-10-94

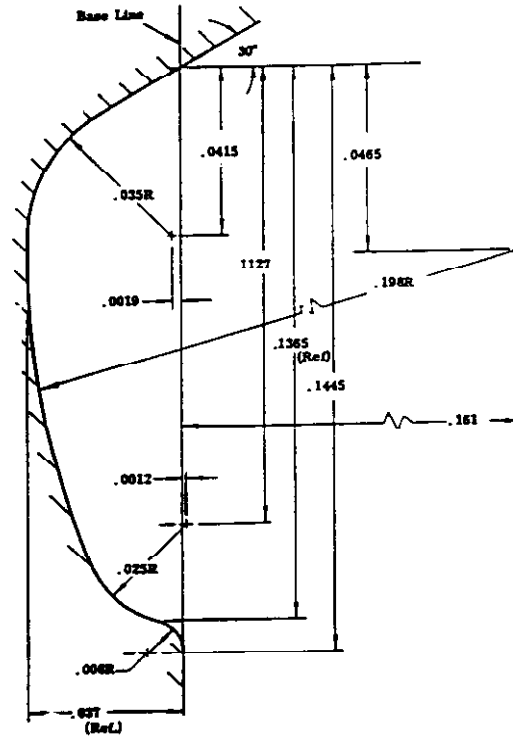
Material

Spec. No. SR-A12067

Sheet No. 1 of 1

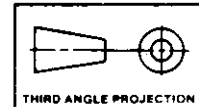
Name A-12067 2ND OP. SEAMING ROLL PROFILE

REF: 2ND OPERATION SEAMING GROOVE CCC A-12067
CR-432433-A



Doc. Drawing file: 80267 from 9010 8 82 206

Date	Rev.

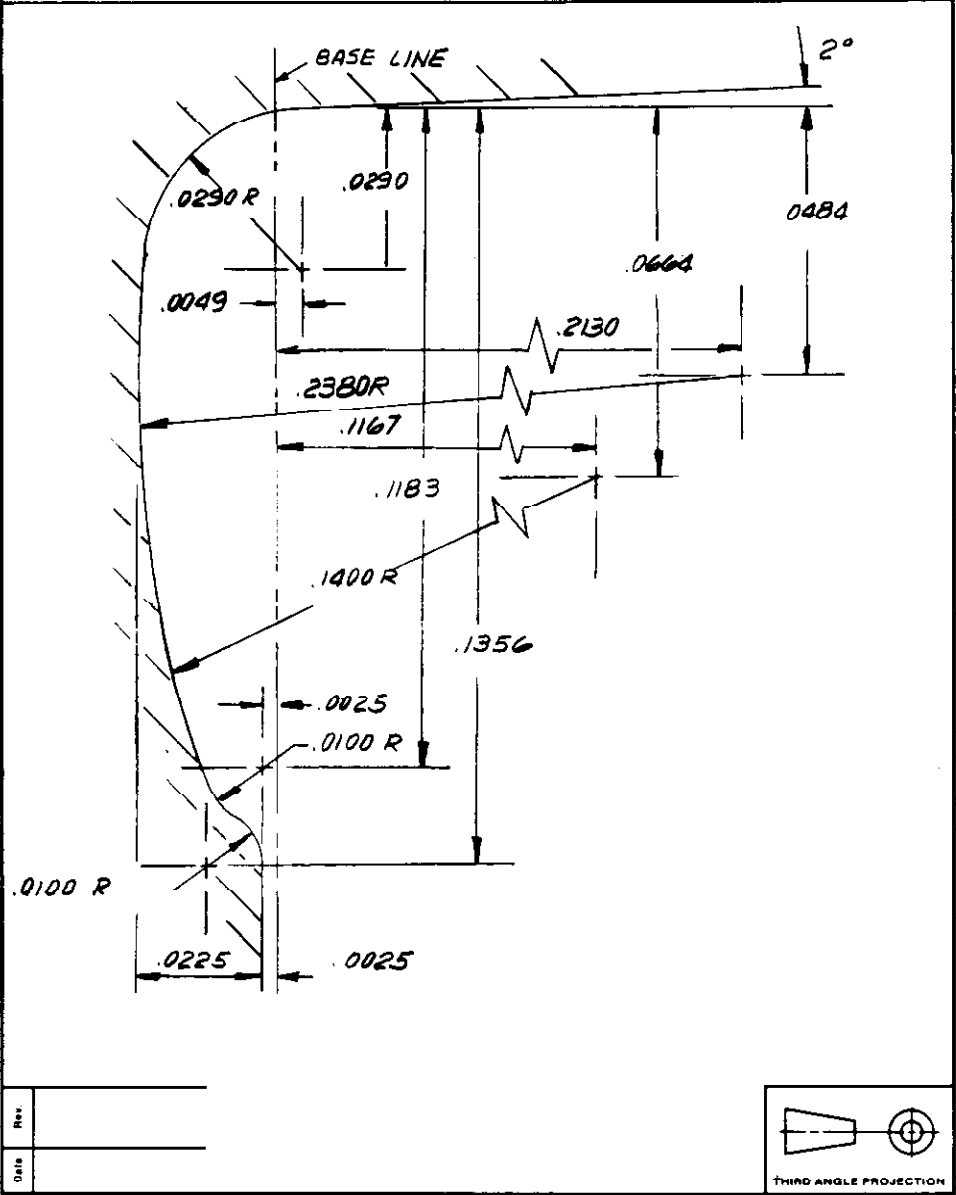


CUSTOMER SPECIFICATION



AUTOMATED
CONTAINER
CORPORATION

Eng. E	Q.C.	Sales	Date 10-14-94	Spec. No. SR-A-12152
Name A-12152 2ND. OP. SEAMING PROFILE			Sheet No. 1 of 1	



CUSTOMER SPECIFICATION



AUTOMATED
CONTAINER
CORPORATION

Eng.

E

Q.C.

Sales

Date 12-6-94

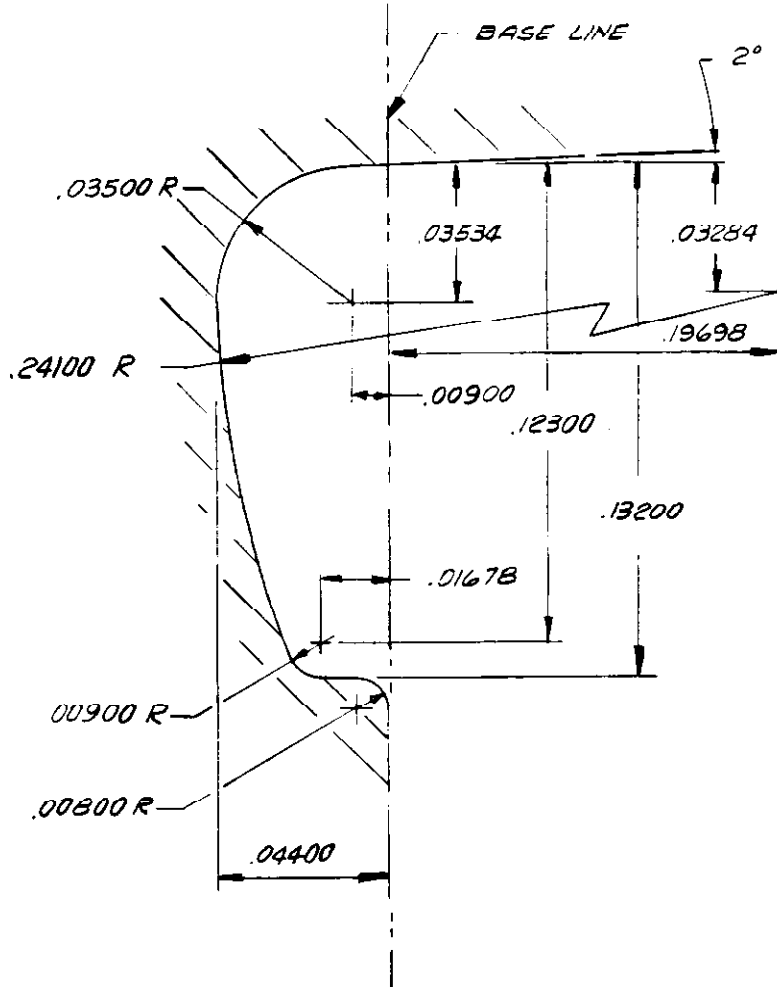
Material -

Spec. No. SR-A12163

Sheet No. 1 of 1

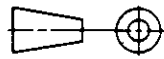
Name A-12163 2ND OPERATION SEAMING PROFILE

REF: SEAMING GROOVE A-12163



1446 drawing file saved from AUTOCAD 2000

Rev.
Date



THIRD ANGLE PROJECTION