

**SECTION 9**

**CUSTOMER SPECIFICATION INDEX**

**PACKING SPECIFICATIONS**

SPECIFICATION NUMBER	NAME
PS-1	Snake-Wrapped Aluminum Ends - Winter Garden
PS-4	Easy Open Ends in Boxes - Winter Garden
PS-5	Uses for Easy Open Ends
PS-9	Packing Identification
PS-10	Snake-Wrap Pallet Pack
PS-11	Snake-Wrap Pallet Pack - 401 RIMSAFE®

Spec No. PS-1 Rev. # 4 Date: 24 Mar 2000		PACKING SPECIFICATIONS for SNAKE-WRAPPED EASY-OPEN ENDS									
Ends/ Sleeve	Siva/ Row	Rows/ Pallet	Siva/ Pallet	Ends/ Pallet	Pallet Dimensions	Net Wt. per 1000	Wt./ Sleeve Pallet	Wt./ Pallet	Wt./ Sleeve Pallet	Wt./ Pallet	
375	17 & 16	36	594	222,750	56 x 44 x 43 in. 142 x 112 x 109 cm.	5.19 Lbs. 2.35 Kg.	2.10	1345	Lbs.	610	
334	17 & 16	36	594	198,396	56 x 44 x 43 in. 142 x 112 x 109 cm.	5.49 Lbs. 2.49 Kg.	1.98	1278	Lbs.	580	
300	17 & 16	36	594	178,200	56 x 44 x 43 in. 142 x 112 x 109 cm.	5.97 Lbs. 2.71 Kg.	1.94	1252	Lbs.	568	
334	14 & 13	30	406	135,604	56 x 44 x 43 in. 142 x 112 x 109 cm.	7.50 Lbs. 3.40 Kg.	2.65	1177	Lbs.	534	
334	14 & 13	30	406	135,604	56 x 44 x 43 in. 142 x 112 x 109 cm.	8.65 Lbs. 3.92 Kg.	3.04	1334	Lbs.	605	
334	14 & 13	30	406	135,604	56 x 44 x 43 in. 142 x 112 x 109 cm.	8.74 Lbs. 3.96 Kg.	3.07	1346	Lbs.	611	
325	14 & 13	30	406	121,800	56 x 44 x 43 in. 142 x 112 x 109 cm.	8.74 Lbs. 3.96 Kg.	2.99	1314	Lbs.	596	
334	14 & 13	30	406	135,604	56 x 44 x 43 in. 142 x 112 x 109 cm.	8.90 Lbs. 4.04 Kg.	3.12	1368	Lbs.	620	
334	12 & 12	24	288	96,192	56 x 44 x 43 in. 142 x 112 x 109 cm.	10.15 Lbs. 4.60 Kg.	3.54	1120	Lbs.	508	
325	13 & 12	24	300	97,500	56 x 44 x 43 in. 142 x 112 x 109 cm.	12.82 Lbs. 5.82 Kg.	4.32	1395	Lbs.	633	
325	13 & 12	24	300	97,500	56 x 44 x 43 in. 142 x 112 x 109 cm.	13.78 Lbs. 6.25 Kg.	4.63	1489	Lbs.	675	

**PACKING SPECIFICATIONS for SNAKE-WRAPPED EASY-OPEN ENDS**

Spec No. PS-1 Rev. # 4 Date: 24 Mar 2000	Ends/ Sleeve	Slvs/ Row	Rows/ Pallet	Slvs/ Pallet	Ends/ Pallet	Pallet Dimensions	Net Wt. per 1000	Wt./ Sleeve Pallet
Sheet No. 2 of 2 303 SAFERIM	334	13 & 12	22	276	92,184	56 x 44 x 41 in. 142 x 112 x 104 cm.	10.66 Lbs. 4.84 Kg.	3.71 1124 Lbs. 1.68 510 Kg.
303 SAFERIM Tennis Ball	300	11 & 11	22	242	72,600	56 x 44 x 41 in. 142 x 112 x 104 cm.	14.25 Lbs. 6.46 Kg.	4.43 1171 Lbs. 2.01 531 Kg.
307 SAFERIM	300	11 & 10	22	232	69,600	56 x 44 x 41 in. 142 x 112 x 104 cm.	11.99 Lbs. 5.44 Kg.	3.75 969 Lbs. 1.70 440 Kg.
307 SAFERIM Vacuum	300	11 & 10	22	232	69,600	56 x 44 x 42 in. 142 x 112 x 107 cm.	13.53 Lbs. 6.14 Kg.	4.21 1076 Lbs. 1.91 488 Kg.
309 SAFERIM	334	11 & 10	22	232	77,488	56 x 44 x 42 in. 142 x 112 x 107 cm.	12.65 Lbs. 5.74 Kg.	4.38 1115 Lbs. 1.98 506 Kg.
401 SAFERIM	334	9 & 9	20	180	60,120	56 x 44 x 42 in. 142 x 112 x 107 cm.	15.83 Lbs. 7.18 Kg.	5.44 1079 Lbs. 2.47 489 Kg.
401 SAFERIM Vacuum	300	9 & 9	20	180	54,000	56 x 44 x 42 in. 142 x 112 x 107 cm.	18.32 Lbs. 8.31 Kg.	5.65 1116 Lbs. 2.56 506 Kg.
401 DOUBLESAFE	334	9 & 9	20	180	60,120	56 x 44 x 42 in. 142 x 112 x 107 cm.	17.01 Lbs. 7.72 Kg.	5.83 1150 Lbs. 2.65 521 Kg.
401 DOUBLESAFE Vacuum	334	9 & 9	20	180	60,120	56 x 44 x 42 in. 142 x 112 x 107 cm.	19.21 Lbs. 8.71 Kg.	6.57 1282 Lbs. 2.98 581 Kg.
401 RIMS SAFE	300	9 & 9	20	180	54,000	56 x 44 x 42 in. 142 x 112 x 107 cm.	18.41 Lbs. 8.35 Kg.	5.67 1121 Lbs. 2.57 508 Kg.
401 Tara-Tara Printable	200	12 & 12	20	240	48,000	44 x 56 x 42 in. 112 x 142 x 107 cm.	20.65 Lbs. 9.37 Kg.	4.28 1127 Lbs. 1.94 511 Kg.
502 Flat Panel Printable	225	8 & 8	20	160	36,000	44 x 56 x 43 in. 112 x 142 x 109 cm.	33.31 Lbs.	7.64 1323 Lbs.

Spec No. Rev. No. Date:	PS-4 4 24 Mar 2000	PACKING SPECIFICATIONS for BOXED/EASY-OPEN ENDS (See Note 1) (Note 2)										Wt./ Pallet				
		Sleeve	Box	Box	Pallet	Ends/Box	Boxes/Box	Box	Box	Pallet	Net Wt. per 1000		Wt./ Box			
Sheet No. 201 Flat Panel	1 of 2	334	15	5010	30	150300	8	13	44	in.	5.19	Lbs.	30	Lbs.	960	Lbs.
							20.32	33.3	112	cm.	2.35	Kg	14	Kg	444	Kg
202 SAFERIM		334	15	5010	30	150300	8	13	44	in.	5.49	Lbs.	32	Lbs.	1025	Lbs.
							20.32	33.3	112	cm.	2.49	Kg	14	Kg	465	Kg
202 Stay-on-Tab		300	15	4500	30	135000	8	13	44	in.	5.97	Lbs.	31	Lbs.	1008	Lbs.
							20.32	33.3	112	cm.	2.71	Kg	14	Kg	456	Kg
211 SAFERIM		334	12	4008	24	96192	9.6	12	43	in.	7.50	Lbs.	34	Lbs.	897	Lbs.
							24.38	31	108	cm.	3.40	Kg	15	Kg	407	Kg
211 SAFERIM Vacuum		334	12	4008	24	96192	9.6	12	43	in.	8.65	Lbs.	39	Lbs.	1008	Lbs.
							24.38	31	108	cm.	3.92	Kg	18	Kg	457	Kg
211 Litterproof Pour Spout		334	12	4008	24	96192	9.6	12	43	in.	8.74	Lbs.	39	Lbs.	1017	Lbs.
							24.38	31	108	cm.	3.96	Kg	18	Kg	461	Kg
211 Child-Resistant Pour Spout		325	12	3900	24	93600	9.6	12	43	in.	8.74	Lbs.	38	Lbs.	994	Lbs.
							24.38	31	108	cm.	3.96	Kg	17	Kg	451	Kg
211 DOUBLESAFE		334	12	4008	24	96192	9.6	12	43	in.	8.90	Lbs.	40	Lbs.	1032	Lb.
							24.38	31	108	cm.	4.04	Kg	18	Kg	468	Kg
300 SAFERIM		334	12	4008	24	96192	13.5	14	46	in.	10.15	Lbs.	45	Lbs.	1152	Lbs.
							34.29	34.3	117	cm.	4.60	Kg	20	Kg	523	Kg
300 SAFERIM Tennis Ball		325	12	3900	24	93600	13.5	14	46	in.	13.12	Lbs.	55	Lbs.	1404	Lbs.
							34.29	34.3	117	cm.	5.95	Kg	25	Kg	637	Kg
300 DOUBLESAFE Tennis Ball		300	12	3600	24	86400	10.5	14	46	in.	13.67	Lbs.	53	Lbs.	1357	Lbs.
							26.67	34.3	117	cm.	6.20	Kg	24	Kg	616	Kg

Spec No. PS-4  
 Rev. No. 4  
 Date: 24 Mar 2000

Sheet 2 of 2

PACKING SPECIFICATIONS for BOXED EASY-OPEN ENDS

	Ends/ Sleeve		Shvs/ Box		Ends/ Box		Ends/ Pallet		Box Height/Width		Pallet Height		Net Wt. per 1000		Wt./ Box		Wt./ Pallet			
303 SAFERIM	334	12	4008	24	96192	10.3	14	38	in.	26.16	36.1	97	cm.	10.66	Lbs.	47	Lbs.	1201	Lbs.	
303 SAFERIM Tennis Ball	300	12	3600	24	86400	10.3	14	38	in.	26.16	36.1	97	cm.	14.25	Lbs.	55	Lbs.	1407	Lbs.	
307 SAFERIM	334	12	4008	15	60120	11.8	15	40	in.	29.97	38.6	102	cm.	11.99	Lbs.	52	Lbs.	861	Lbs.	
307 SAFERIM Vacuum	334	12	4008	15	60120	11.8	15	40	in.	29.97	38.6	102	cm.	13.53	Lbs.	58	Lbs.	953	Lbs.	
309 SAFERIM	334	12	4008	15	60120	12.6	16	42	in.	32	39.9	107	cm.	6.14	Kg	26	Kg	432	Kg	
401 SAFERIM	334	6	2004	24	48096	8.6	13	41	in.	21.84	33.8	104	cm.	12.65	Lbs.	55	Lbs.	901	Lbs.	
401 SAFERIM Vacuum	300	6	1800	24	43200	8.6	13	41	in.	21.84	33.8	104	cm.	5.74	Kg	25	Kg	408	Kg	
401 DOUBLESAFE	334	6	2004	24	48096	8.6	13	41	in.	21.84	33.8	104	cm.	15.83	Lbs.	36	Lbs.	937	Lbs.	
401 DOUBLESAFE Vacuum	300	6	1800	24	43200	8.6	13	41	in.	21.84	33.8	104	cm.	7.18	Kg	16	Kg	425	Kg	
401 RIMS SAFE	300	6	1800	24	43200	8.6	13	41	in.	21.84	33.8	104	cm.	17.01	Lbs.	38	Lbs.	994	Lbs.	
401 TARA-TARA PRINTABLE	235	6	1410	24	33840	8.6	9	41	in.	21.84	22.6	104	cm.	7.72	Kg	17	Kg	451	Kg	
502 Flat Panel PRINTABLE	225	6	1350	18	24300	8.6	9	41	in.	21.84	22.6	104	cm.	18.41	Lbs.	37	Lbs.	971	Lbs.	

Note 1: Box Length = 27 in. (71 cm)

Note 2: Pallet Size = 56" x 44" (142 cm x 112 cm)

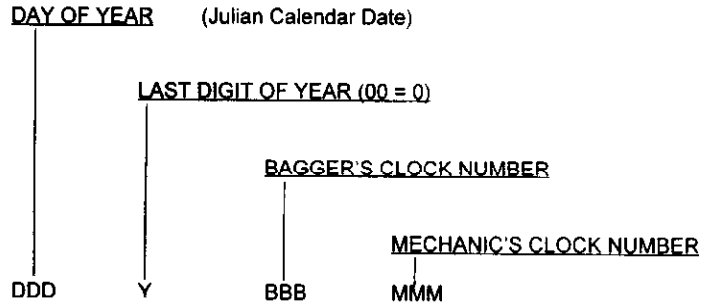
**SOME USES FOR EASY-OPEN ENDS**

<b>MM</b>	<b>DIA/PROF</b>	<b>MAJOR APPLICATIONS</b>
51	201 FP	Composite grease tubes
52	202 SR	Fish food; shoe polish; dry snacks; frozen fruit concentrates
52	202 SOT	Fruit juices and nectars
65	211 SV	Coffee
65	211 SR	Dried seaweed; snack foods; fish food; frozen fruit concentrates
65	211 PS	Motor oil and additives
65	211 PSCR	Oil additives
73	300 TB	Tennis balls
73	300 SR	Dried seaweed; snack foods
77	303 SR	Dried seaweed; dried soups; novelty packaging
83	307 SV	Peanuts; coffee
83	307 SR	Dried fruits; dried seaweed; oysters; fish food; powdered milk
83	307 PP	Motor oil and additives
83	309 SR	Dried seaweed
99	401 SR	Nut meats; dried snacks; diet foods; powdered milk
99	401 SV	Coffee
99	401 PP	Powdered chemicals
99	401 PS	Motor oil
99	401 DS	Dried seaweed; infant formula; whipped cream cheese
99	401 DV	Vacuum packed nuts, frozen avocado paste, powdered milk, stewed prunes; infant formula
	401 RS	Infant Formula
	401 TT	Infant formula
127	502 FP	Infant formula

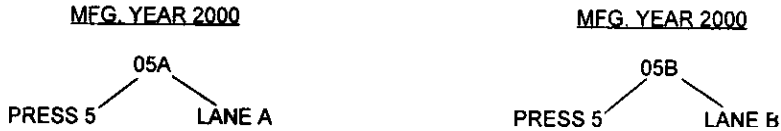
KEY:  
DS - DOUBLESAFE  
DV - DOUBLESAFE Vacuum  
FP - Flat Panel  
PP - PORTIONPOUR  
PS - Pour Spout  
PSCR - Pour Spout Child-Resistant  
RS - RIMSAFE  
SOT - Stay-On-Tab  
SR - SAFERIM  
SV - SAFERIM Vacuum  
TT - Tara Tara

**BAG IDENTIFICATION**

All ends shipped bear a packing identification. This is in the form of a ten digit number, found stamped on the bags if the ends are snakewrapped, or on the carton if the bags are packed in cartons. Cartons are numbered in order of manufacture on each pallet. The identification is read as follows:



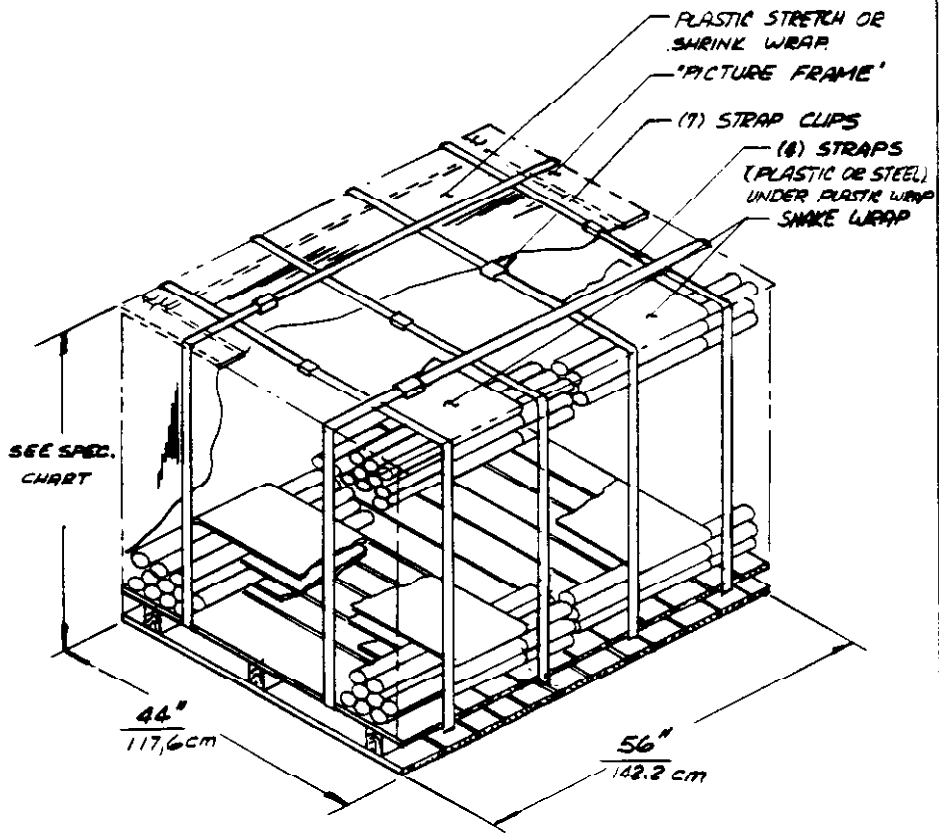
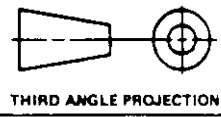
**END IDENTIFICATION**



Lane A and B are packed separate on skid packs and are in separate boxes when so packed.

**CUSTOMER SPECIFICATION**  
  
**AUTOMATED  
 CONTAINER  
 CORPORATION**  
 Orlando, FL 32808

Prepared by <b>ZYSSET</b>	Checked by	Material <b>44 x 56 PALLET</b>	Spec. No. <b>PS-10</b>	Rev. <b>1</b>
		Date	Sheet No. <b>1 of 1</b>	Date <b>08-08-93</b>
Name <b>SNAKE WRAP PALLET PACK - PLYMOUTH</b>				



MAC 8100 2/82

08/08/93

**CUSTOMER SPECIFICATION**



**AUTOMATED  
CONTAINER  
CORPORATION**

Eng.  
6

D.C.

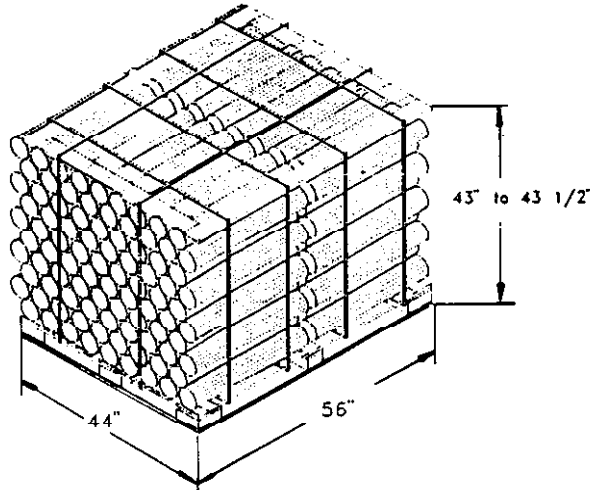
Sales

Date 05-07-93

Spec. No. PS-11

Sheet No. 1 of 1

Name **SNAKE WRAP PALLET PACK, WINCHESTER**



**PRODUCT DESCRIPTION: 401 ALUMINUM END 401 EZO -Winchester**

ENDS PER BAG: 300  
 BAGS PER LAYER: 18 (2 sides @9 per side)  
 LAYERS PER PALLET: 10  
 BAGS PER PALLET: 180  
 ENDS PER PALLET: 54,000

PALLET SPEC: BP-5A                      PALLET TARE WT: 70#  
 PALLET SIZE: 44" X 56"                  END WT PER PALLET: 994#  
 PALLET CODE: 4 WAY CAN PALLET      TOTAL PALLET WT: 1088#

BAG SPEC: 4-1/4" X 2-3/4" X 35" 60# PAPER  
 PALLET HT: 4-3/4" FROM FLOOR TO BAGS  
 PALLET/END HT: 43" TC 43-1/2" FROM FLOOR TO TOP OF PACK

PACKAGE: ROW OF ENDS CONSISTS OF 2 BAGS PLACED END TO END ON  
 LONG SIDE OF PALLET  
 12" SNAKEWRAP (1 each side)  
 CHIPBOARD & TOP FRAME  
 4 STRAPS ON LONG SIDE OF PALLET  
 2 STRAPS ON SHORT SIDE OF PALLET  
 STRETCH WRAP WITH 20" CLEAR FILM

Oce Blanning Inc. #0261 Form 8019 8/92 200

Rev.	
Date	

